

SG380 STUMP GRINDER



Operator's Manual

MechMaxx

www.mechmaxx.com

Your new Stump Grinder offers quality construction, and is easy and safe to operate. With proper use and care, it is designed to give you many years of dependable service.

Prepare to experience the durability to take on any job with the ease, portability, and convenience of your new Stump Grinder !

MAX performance,MAX Value,MAX Support that's Stump Grinder

- ✓ Enhanced design features come standard
- ✓ Engineered for the best user experience
- ✓ Quality metal parts are used instead of plastic
- ✓ A robust warranty supports all products
- ✓ Budget-friendly prices make it practical

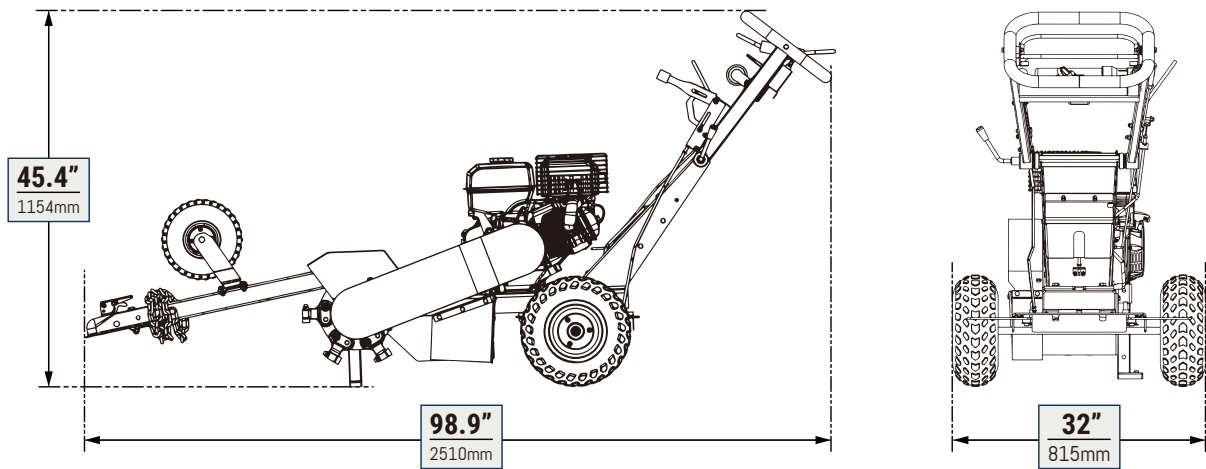
TABLE OF CONTENTS

TABLE OF CONTENTS	1	OPERATION	13
SPECIFICATIONS	2	CHECK CONTROLS	13
OVERALL DIMENSIONS	2	CHECK CUTTING TEETH	13
SAFETY SIGNS	3	CHECK/ADD OIL	13
SAFETY	4	FILL STUMP GRINDER GASOLINE TANK	13
GENERAL SAFETY RULES	4	INSPECT FUEL SYSTEM/CHECK FOR LEAKS	13
PERSONAL SAFETY	4	LOCKING HANDLE BAR	14
INSPECT YOUR MACHINE	4	PERSONAL PROTECTION	14
ENGINE SAFETY	5	STARTING THE GRINDER (E-START)	14
FUEL SAFETY	5	STARTING THE GRINDER (RECOIL START)	15
SPECIFIC SAFETY RULES	5	STOPPING THE ENGINE	15
PRIOR TO STARTING	5	GRINDING THE STUMP	15
OPERATION SAFETY	5	REFUELING	16
ABOUT YOUR GRINDER	6	STORING THE MACHINE	16
OWNER/OPERATOR/RENTER TRAINING	6	REMOVE SPARK PLUG	17
RENTAL COMPANIES	6	START GRINDER EVERY 4 WEEKS	17
ENGINE INSTRUCTIONS	6	PREPARE ENGINE FOR LONG TERM	17
PRODUCT SUITABILITY	6	(SEASONAL) STORAGE IF NEEDED	
WARRANTY REGISTRATION	6	MAINTENANCE	18
UNPACHING THE CONTAINER	7	PERFORM REGULAR MAINTENANCE	18
CONTENTS SUPPLIED	8	FOLLOW SAFETY RULES	18
TO-SCALE HARDWARE	9	PERFORM ENGINE MAINTENANCE	18
ASSEMBLY	10	INSPECT FUEL SYSTEM / CHECK FOR LEAKS	18
WHEELS	10	LUBRICATE	18
LOWER WELDING PUSH ROD	10	CHECK AND ADJUST BRAKE	18
UPPER WELDING PUSH ROD	10	BELT TENSION ADJUSTMENT	18
RUBBER BAFFLE	11	INSTALLING TEETH	19
BASE FOOT	11	MAINTENANCE SCHEDULE	20
KNOW YOUR MACHINE	12		

SPECIFICATIONS

Model	SG380
Engine	DUCAR Dh420(E)
Certification(S)	EPA Phase III, CARB Phase III
Engine Type	Single Cylinder, 4 Stroke, Air-Cooled, OHV
Displacement/ HP	420 cc; 15 HP
Start	E-Start
Battery	12 V 20 Ah Lead-Acid
Brake	2 x Wheel Lock
Belt	2 x V-Belts
Belts Material	Kevlar
Clutch	Centrifugal Clutch
Cutting Wheel Dia.	14 in
Cutting Wheel Thickness	0.47 in
Carbide Tip Qty.	12 Pcs
Tip Holder Material	42CrMo
Carbid Tip Material	YG11C Alloy
Cutting Height	15 in Above Ground
Cutting Depth	10 in Below Ground
Max. Stump Dia.	32 in
Rotary Chassis	Yes
Max. Rotation Angle	65 Degrees
Max. Rotating Distance	31.5 in
Tow Bar	Included
Coupler	2 in Ball
Wheelbase	32 in
Max. Speed	Off-Road Only and Max. Speed 15mph
Front Wheel	10 in
Tire	145/70-6 Tubeless Tyre
Assembled Weight	303 lbs
Gross Weight	353 lbs
Packing Size	45 x 30 x 29.5 in

OVERALL DIMENSIONS



SAFETY SIGNS

The rating plate on your machine may show symbols. These represent important information about the product or instructions on its use.

WARNING			
	<p>Fire / Explosion Hazard Gasoline is highly flammable and explosive.</p> <ul style="list-style-type: none"> NEVER fuel a running or hot engine. KEEP sources of heat, sparks, and flame away during refueling. ALWAYS turn engine off and let cool for at least two minutes before refueling. Clean up fuel spills immediately. Ensure there are no fuel leaks before starting. DO NOT pump fuel directly into engine at gas station. 	<p>Fire Hazard Hot exhaust fumes from engine can cause fire.</p> <p>Position muffler at least 7 feet from combustible objects, including vegetation and clothing.</p> <p>Do not change or add to exhaust system, fuel tanks, or fuel lines.</p> <p>Fire can result.</p>	<p>Entanglement Hazard NEVER remove guards or shields.</p> <p>NEVER operate this machine when wearing loose clothing, scarves, or gloves with large loose cuffs or holes.</p> <p>ONLY operate with proper guarding of power transmission system, including all rotating shafts, pulleys, belts, & couplings.</p>

WARNING

Amputation & Entanglement Hazard Rotating Cutter

Keep hands and feet away. Contact with rotating teeth will cause serious personal injury. NEVER operate without guards and covers in place.

WARNING

Poisonous Gas Hazard

This product gives off carbon monoxide, a poisonous gas that can kill you. You CANNOT smell it, see it, or taste it.

- NEVER use in enclosed spaces EVEN if you run a fan or open doors and windows.
- Only use OUTSIDE and far away from windows, doors, and vents.

See product manual for more details.

WARNING

Flying Debris Hazard

- Stones, chips, and debris can cause serious injury or property damage.
- Primary chip discharge is in the direction of the arrow.
- However debris can fly 75 ft in any direction out the chute and bounce off objects and hit operator or bystanders.

BRAKE

DANGER

CUTTING HEAD ROTATION

PRECAUTIONS BEFORE STARTING:

- Check gas and oil levels.
- Keep children away.
- If unfamiliar with operation, please refer to the operator's manual.
- ALWAYS wear proper clothing and protective gear. This includes eye and ear protection, work gloves, long pants, and sturdy, non-slip footwear.
- Use of the stump grinder requires considerable strength and endurance. It should be operated only by an adult with adequate physical capability.

ON

OFF

SPECIAL OPERATOR HAZARDS:

- Read and follow the operator's manual before using.
- Before adding fuel, stop the engine and allow engine to cool for 2 minutes before refueling. Wipe up fuel spills immediately.
- Blade rotates at speeds similar to a rotary lawn mower and will throw stones, chips and debris up to 75 feet in any direction. Keep bystanders at least 75 feet away. Protect windows, autos or any other objects which may be damaged by flying debris.

WARNING

PERSONAL INJURY HAZARD

Never attempt to use this machine without proper personal protection. When using this machine, you must wear the following:

- Eye protection
- Ear and hearing protection
- Sturdy, non-slip footwear
- Heavy duty work gloves
- Heavy duty, tight fitting clothing

WARNING

Flying Debris Hazard

- Flying debris can travel up to 75 feet.
- Flying debris can also bounce off of this shield and hit nearby objects.
- NEVER slow anyone in DANGER ZONE while grinding.
- ALWAYS position machine to protect property (such as buildings and vehicles) from flying debris.
- Rubber shielding is intended to direct discharge to protect operator's lower extremities.
- Wear long pants and closed shoes, as well as eye and face protection.
- Replace if shielding is worn or damaged.

SAFETY

GENERAL SAFETY RULES

Read this manual and labels affixed to the machine to understand its limitations and potential hazards.

Be thoroughly familiar with the controls and their proper operation. Know how to stop the machine and disengage the controls quickly.

Make sure to read and understand all the instructions and safety precautions as outlined in the Engine Manufacturer's manual packed separately with your unit. Do not attempt to operate the machine until you fully understand how to properly operate and maintain the engine and how to avoid accidental injuries and/or property damage.

If the unit is to be used by someone other than original purchaser or loaned, rented, or sold, always provide this manual and any needed safety training before operation. The user can prevent and is responsible for accidents or injuries that may occur to themselves, other people, and property.

Do not force the machine. Use the correct machine for your application. The correct machine will do the job more efficiently and safer at the rate it was designed.

PERSONAL SAFETY

Do not permit children to operate this machine at any time.

Keep children, pets, and other people not using the unit away from the work area. Be alert and shut off unit if anyone enters work area. Keep children under the watchful care of a responsible adult.

Do not operate the machine while under the influence of drugs, alcohol, or any medication that could affect your ability to use it properly.

Dress properly. Wear heavy long pants, boots, and gloves. Do not wear loose clothing, short pants, or jewelry of any kind. Secure long hair so it is above shoulder level. Keep your hair, clothing, and gloves away from moving parts. Loose clothes, jewelry, or long hair can be caught in moving parts.

Protect eyes, face, and head from objects that may be thrown from the unit. Always wear safety goggles or safety glasses with side shields when operating.

Wear appropriate hearing protection.

Always keep hands and feet away from all moving parts during operation. Moving parts can cut or crush body parts.

Always keep hands and feet away from all pinch points.

Do not touch parts that might be hot from operation. Allow parts to cool before attempting to maintain, adjust, or service.

Stay alert, watch what you are doing, and use common sense when operating the machine.

Do not overreach. Do not operate the machine while barefoot or when wearing sandals or similar lightweight footwear. Wear protective footwear that will protect your feet and improve your footing on slippery surfaces. Keep proper footing and balance at all times. This enables better control of the machine in unexpected situations.

INSPECT YOUR MACHINE

Check your machine before starting it. Keep guards in place and in working order. Make sure all nuts, bolts, etc., are securely tightened.

Never operate the machine when it is in need of repair or is in poor mechanical condition. Replace damaged, missing, or failed parts before using it. Check for fuel leaks. Keep the machine in safe working condition.

Do not use the machine if the engine's switch does not turn it on or off. Any gasoline powered machine that can't be controlled with the engine switch is dangerous and must be replaced.

Regularly check to see that keys and adjusting wrenches are removed from the machine area before starting it. A wrench or a key that is left attached to a rotating part of the machine may result in personal injury.

Avoid accidental starting. Be sure the engine's switch is off before transporting the machine or performing any maintenance or service on the unit. Transporting or performing maintenance or service on a machine with its switch on invites accidents.

If the machine should start to vibrate abnormally, stop the engine (motor) and check immediately for the cause. Vibration is generally a warning sign of trouble.

ENGINE SAFETY

This machine is equipped with an internal combustion engine. Do not use on or near any unimproved, forest covered, or brush covered land unless the exhaust system is equipped with a spark arrester meeting applicable local, state, or federal laws.

Never start or run the engine inside a closed area. The exhaust fumes are dangerous, containing carbon monoxide, an odorless and deadly gas. Operate this unit only in a well-ventilated outdoor area.

Do not tamper with the engine to run it at excessive speeds. The maximum engine speed is preset by the manufacturer and is within safety limits. See engine manual.

Keep a Class B fire extinguisher on hand when operating this Stump grinder in dry areas as a precautionary measure.

FUEL SAFETY

Fuel is highly flammable, and its vapors can explode if ignited. Take precautions when using to reduce the chance of serious personal injury.

When refilling or draining the fuel tank, use an approved fuel storage container while in a clean, well-ventilated outdoor area. Do not smoke, or allow sparks, open flames, or other sources of ignition near the area while adding fuel or operating the unit. Never fill the fuel tank indoors.

Keep grounded conductive objects, such as tools, away from exposed, live electrical parts and connections to avoid sparking or arcing. These events could ignite fumes or vapors.

Always stop the engine and allow it to cool before filling the fuel tank. Never remove the cap of the fuel tank or add fuel while the engine is running or when the engine is hot. Do not operate the machine with known leaks in the fuel system.

Loosen the fuel tank cap slowly to relieve any pressure in the tank.

Never overfill the fuel tank. Fill the tank to no more than 1/2" below the bottom of the filler neck to provide space for expansion as the heat of the engine can cause fuel to expand.

Replace all fuel tank and container caps securely and wipe up spilled fuel. Never operate the unit without the fuel cap securely in place.

Avoid creating a source of ignition for spilled fuel. If fuel is spilled, do not attempt to start the engine but move the machine away from the area of spillage and avoid creating any source of ignition until fuel vapors have dissipated.

When fuel is spilled on yourself or your clothes, wash your skin and change clothes immediately.

Store fuel in containers specifically designed and approved for this purpose.

Store fuel in a cool, well-ventilated area, safely away from sparks, open flames, or other sources of ignition.

Never store fuel or a machine with fuel in the tank inside a building where fumes may reach a spark, open flame, or any other source of ignition, such as a water heater, furnace, or clothes dryer. Allow the engine to cool before storing in any enclosure.

SPECIFIC SAFETY RULES

Identify hazards and take preventive steps to avoid accidents and minimize risk. Possible hazards include, but are not limited to, moving parts, thrown objects, weight of the machine and components, and the operating environment.

PRIOR TO STARTING

Thoroughly inspect the area in which you are working, keeping it clean and free of debris to prevent tripping. Operate on a flat level ground.

Before starting your chipper shredder: make sure the feed hopper and cutting housing are empty and free of all debris, check the oil level, make sure all nuts and bolts are tight, and check the air pressure in the tires.

OPERATION SAFETY

Never place any part of your body where it would be in danger if movement should occur during assembly, installation, operation, maintenance, repair, or moving.

Keep all bystanders and pets at least 75 feet away. If you are approached, stop the unit immediately.

ABOUT YOUR GRINDER

OWNER/OPERATOR/RENTER TRAINING

Read and follow all instructions and safety precautions presented throughout this manual. A summary of important safety information can be found at the end of the manual. Keep this manual for reference and review. If the owner of this unit is different than the operator, give a copy of this manual to any operator to read.

RENTAL COMPANIES

All persons to whom you rent/loan this grinder must have access to this manual and read it. Check the tube on the side of the unit to make sure a manual is inside. Advise all persons who will operate the machine to read it. You should also provide personal instruction on how to safely operate the grinder and remain available to answer any questions a renter/borrower might have. If videos are available, have renter watch training video.

ENGINE INSTRUCTIONS

For detailed engine operation and maintenance information, always refer to the engine owner's Manual furnished with the grinder.

PRODUCT SUITABILITY

Before using, the user shall determine the suitability of this product for this intended use and assumes liability therein.

Your stump grinder can be used to remove many tree stumps and exposed root systems close to ground level. By moving the blade in sweeping movements laterally over the top and front of the stump, you can gradually grind it away. Make sure you completely read and understand this manual before using the grinder for the first time. If you have any question, contact your retail or rental dealer or manufacturer.



Never attempt to cut on a slope exceeding 15°

Exercise caution when cutting stumps on an incline, as the machine may shift or slide unpredictably. Never attempt to cut with the machine uphill or downhill from you as it may slide toward you or you may fall toward the machine. Cut only on a slope from the side.

The supplier is constantly improving its products. The specifications outlined herein are subject to change without prior notice or obligation. The purchaser and/or user shall assume liability for any modification and/or alterations of this equipment from original design and manufacturer.

WARRANTY REGISTRATION

Please fill out and submit the warranty registration card so that we have your contact information for any future product literature or replacement parts you may need.

Avoid contact with hot fuel, oil, exhaust fumes and hot surfaces. Do not touch the engine or muffler. These parts get extremely hot from operation. They remain hot for a short time after you turn off the unit. Allow the engine to cool before doing maintenance or making adjustments.

If the machine should start to make an unusual noise or vibration, immediately shut off the engine, disconnect the spark plug wire, and check for the cause. Unusual noise or vibration is generally a warning of trouble.

Use only attachments and accessories approved by the manufacturer. Failure to do so can result in personal injury.

Keep the engine and muffler free of grass, leaves, excessive grease or carbon build up to reduce the chance of a fire hazard.

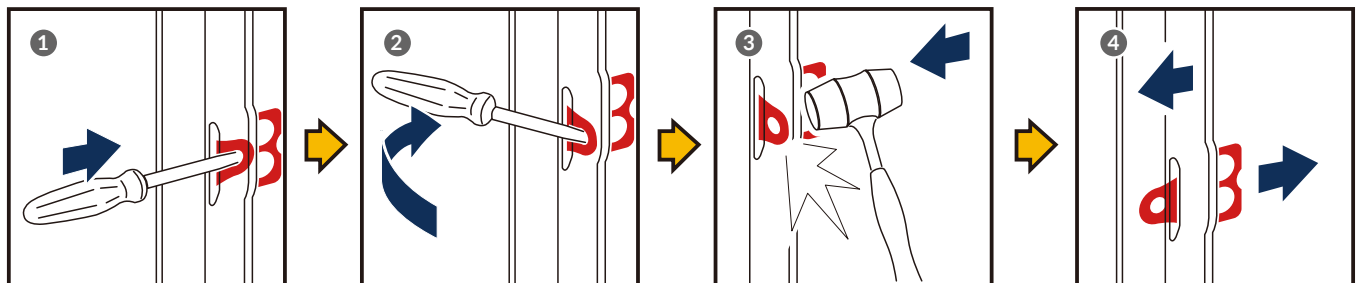
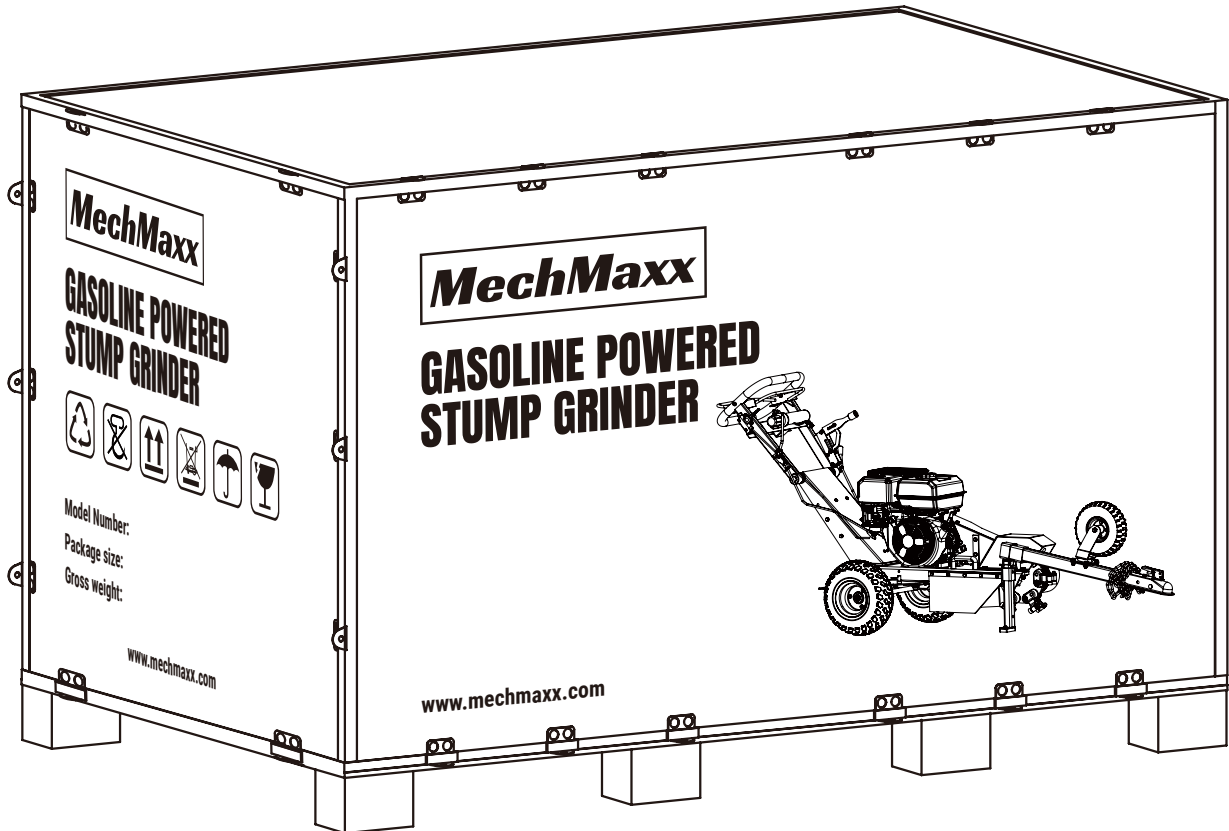
Never douse or squirt the unit with water or any other liquid. Keep handles dry, clean and free from debris. Clean after each use.

Observe proper disposal laws and regulations for gas, oil, etc. to protect the environment.

When storing the machine, keep it out of reach from children and those unfamiliar with machine instructions to operate it. This machine can be dangerous when used by an untrained user.

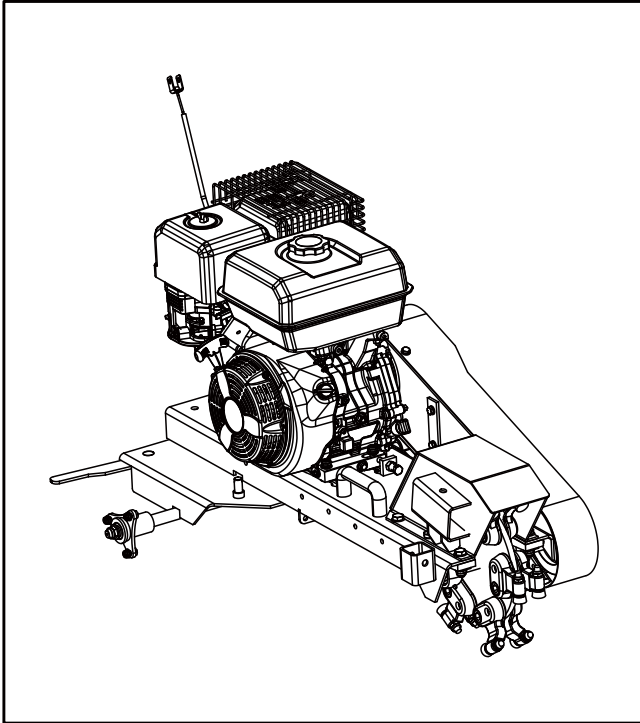
UNPACHING THE CONTAINER

Use the screwdriver and hammer to open all the side locks.

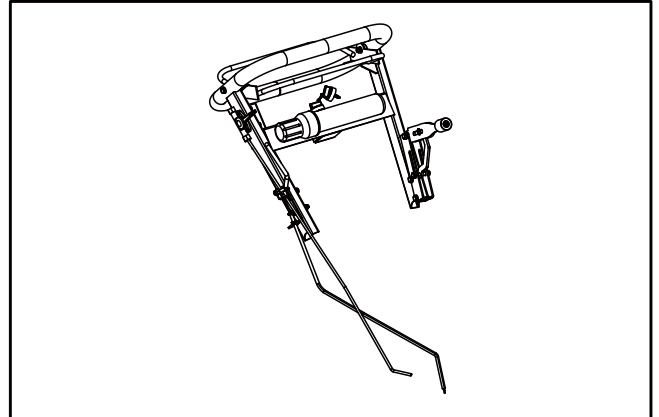


CONTENTS SUPPLIED

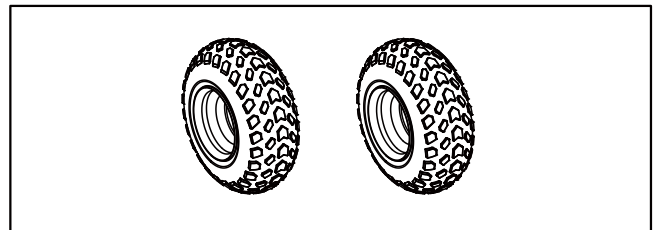
Your stump grinder comes partially assembled and contains the following:



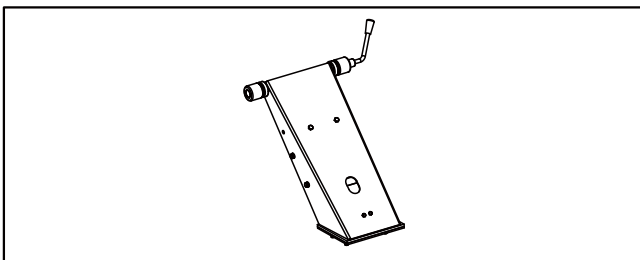
1x Engine and Drum



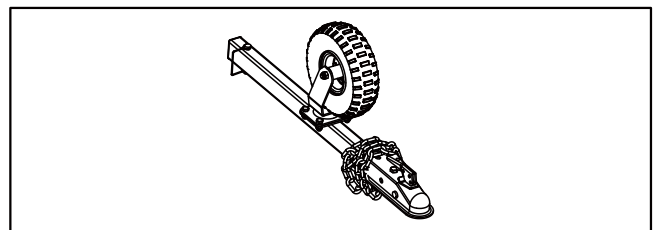
1x Upper welding push rod



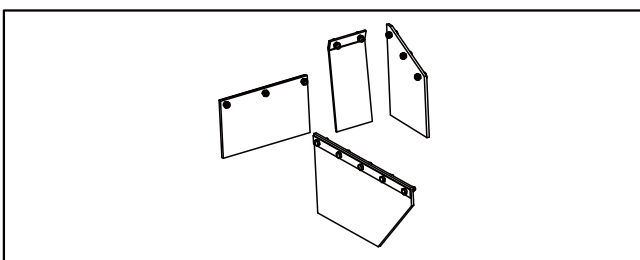
1x Wheels



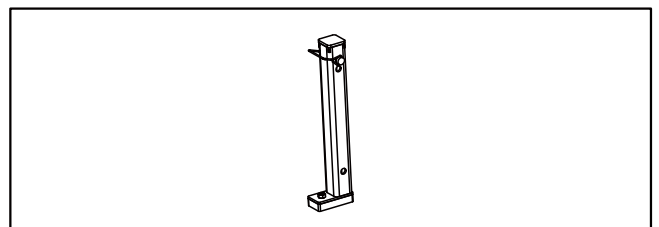
1x Lower welding push rod



1x Tow bar and Guiding wheel



1x Rubber Baffle


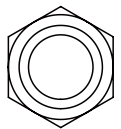
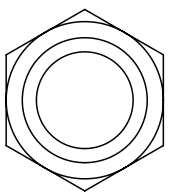
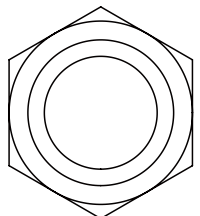


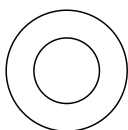
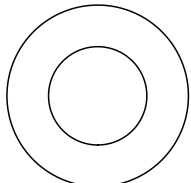
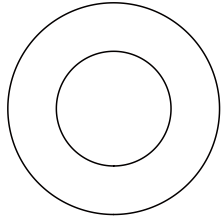
1x Base Foot

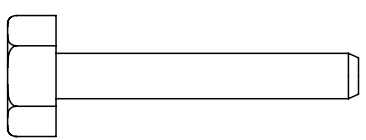
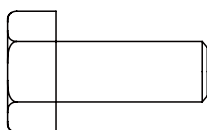
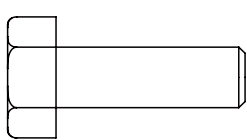
Verify all component and hardware quantities are correct prior to assembling the Stump grinder.

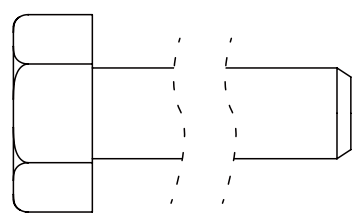
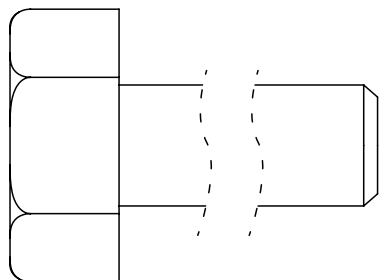
TO-SCALE HARDWARE

Hardware graphics are printed at 1:1 scale for ease of identification. Simply place the hardware over the image in the tables to verify it is the correct size.

<p>Hex lock nut M6 2X</p>	
<p>Hex lock nut M8 11X</p>	
<p>Hex lock nut M12 4X</p>	
<p>Hex lock nut M14 2X</p>	

<p>Flat washer 8 6X</p>	
<p>Flat washer 12 8X</p>	
<p>Flat washer 14 2X</p>	

<p>Hex bolt M6 X 40mm 2X</p>	
<p>Hex bolt M8 X 20mm 6X</p>	
<p>Hex bolt M8 X 25mm 5X</p>	

<p>Hex bolt M12 X 55mm 4X</p>	
<p>Hex bolt M16 X 360mm 1X</p>	

ASSEMBLY

Wheels

Fix the wheel on the axle with M14, M8X20 hexagonal bolts, M8 lock nuts and flat washers 8. (See Figure 1)

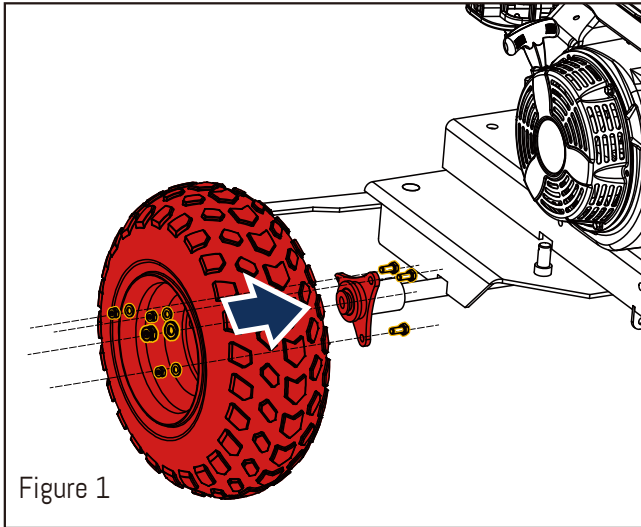


Figure 1

6X Hex lock nut M8

6X Hex bolt M8 X 20mm

6X Flat washer 8

2X Hex lock nut M14

2X Flat washer 14



Lower welding push rod

Attach the lower push rod to the body base with M12x55 hex bolt, flat washer 12 and M12 lock nut. (See Figure 2)

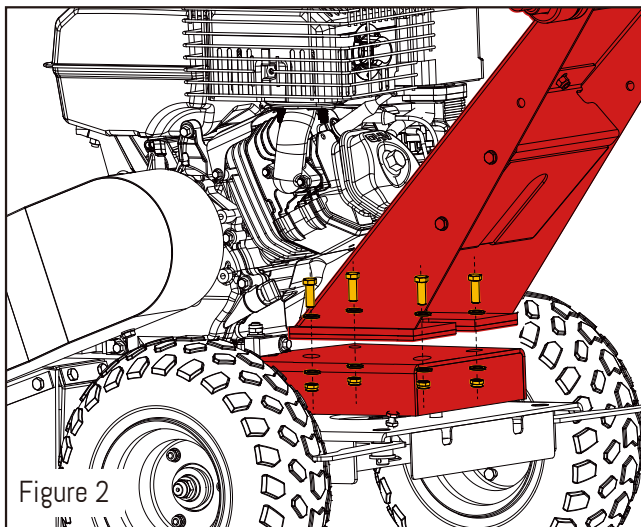


Figure 2

4X Hex lock nut M12

4X Hex bolt M12 X 55mm

8X Flat washer 12



Upper welding push rod

Use M16X360 hex bolts and M16 lock nuts to pass through the upper push rod and connect to the lower push rod.

Connect the throttle control to the upper push rod with M6X40 hex bolt and M6 lock nut. (See Figure 3)

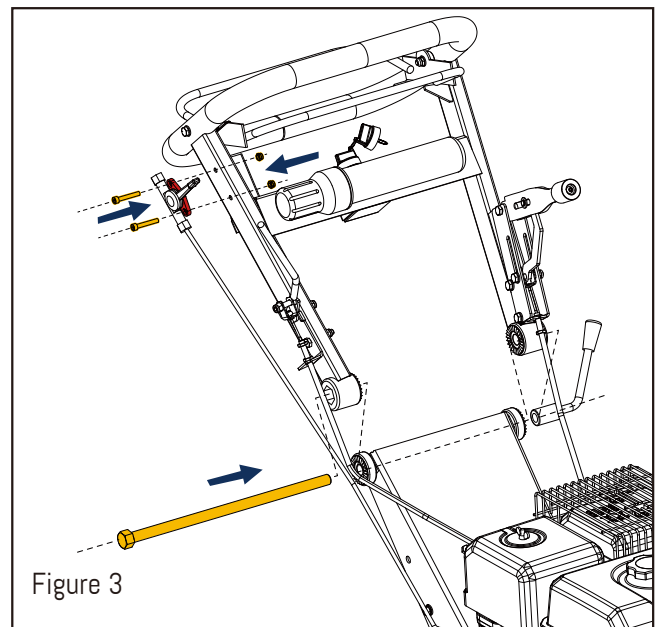


Figure 3

2X Hex lock nut M6

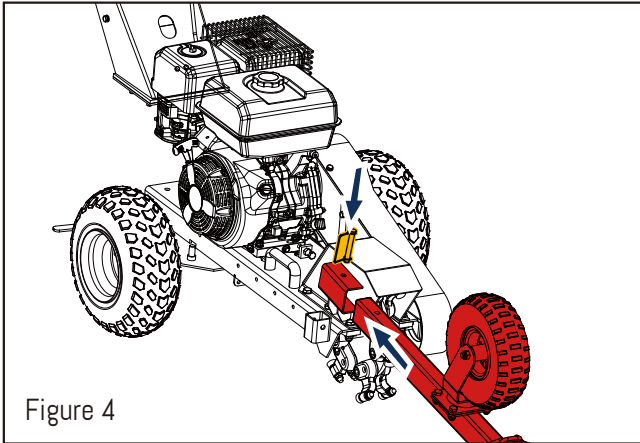
2X Hex bolt M6 X 40mm

1X Hex bolt M16 X 360mm



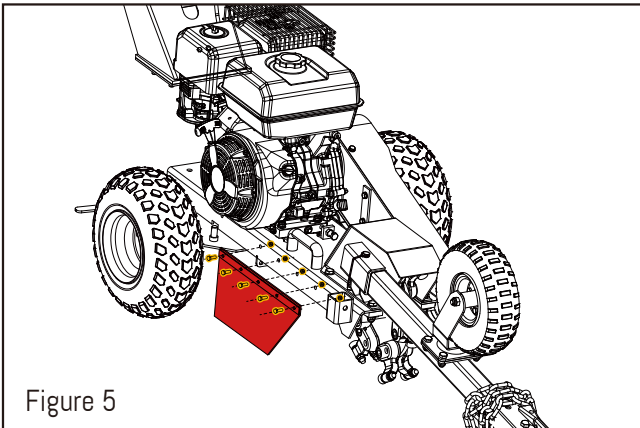
Tow bar and Guiding wheel

Use the square lock pin (12x80) to connect the towing bar and the guide wheel to the main body of the machine. (See Figure 4)



Rubber Baffle

Install the rubber baffle to the main body of the machine with M8X25 hex bolts and M8 lock nuts. (See Figure 5)



5X Hex lock nut M8

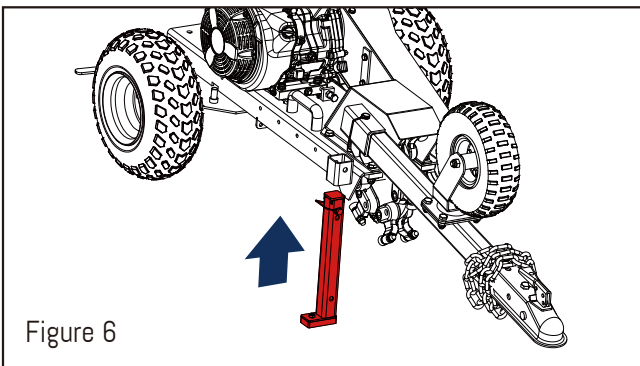


5X Hex bolt M8 X 25mm

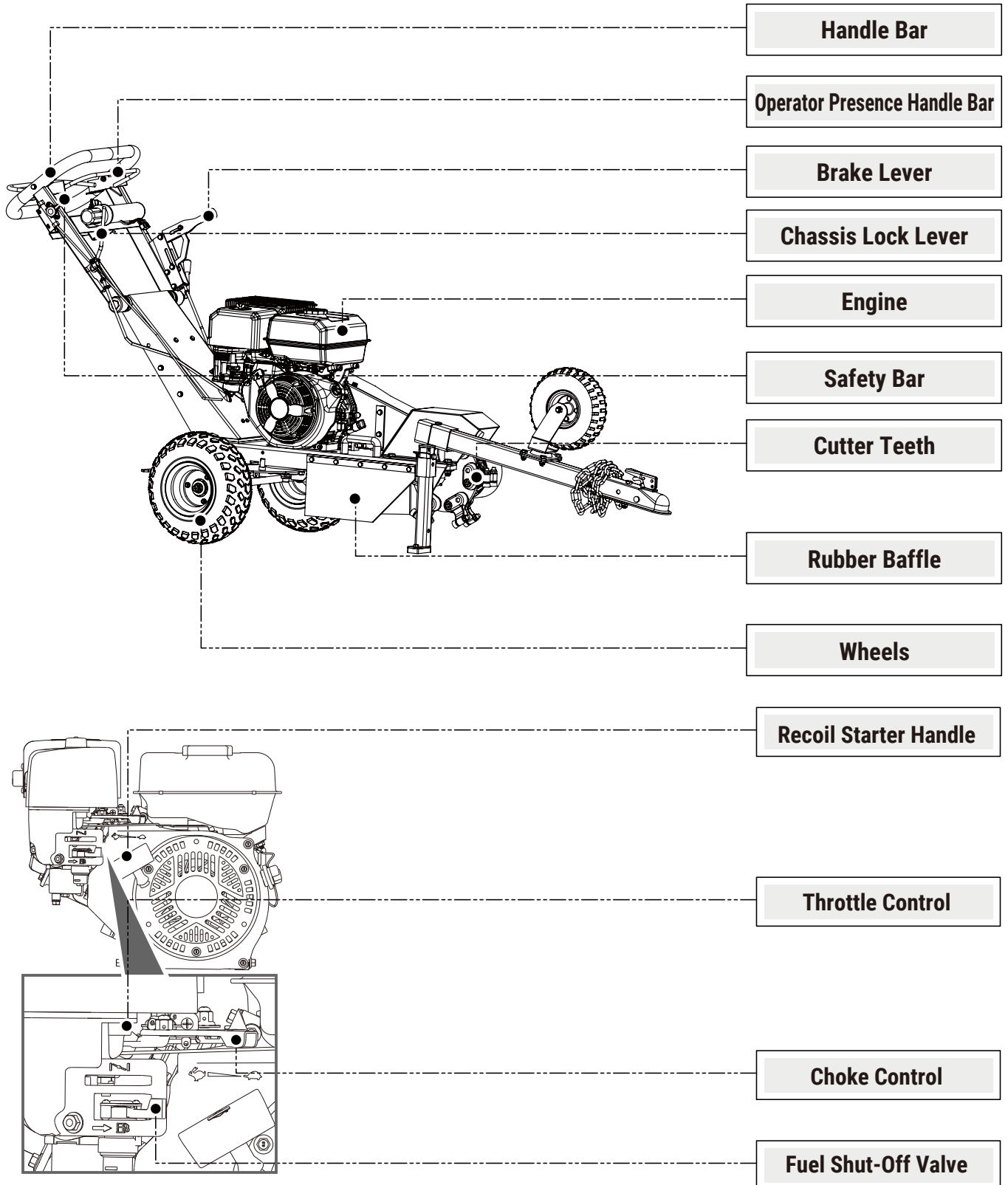


Base Foot

Use the square lock pin (12×80) to connect the base Foot to the main body of the machine. (See Figure 6)



KNOW YOUR MACHINE



OPERATION



CAUTION: Add engine crankcase oil. A new engine is shipped without oil. You must add the correct amount of oil to engine crankcase or engine will be damaged beyond repair.
Note: #92 gasoline fuel and 10w30 engine oil.

Before starting the engine you will want to make sure you have completed the following:

Marking Underground Utilities.

- Checking Controls.
- Checking Cutting Teeth.
- Checking/Adding Oil.
- Filling Stump Grinder Gasoline Tank.
- Inspecting Fuel System for Leaks.
- Locking Handle Bar.
- Wearing Personal Protection.
- Trimming Stump with Saw.
- Clearing Area of People and Objects.
- Working During Daylight.
- Each of these procedures is discussed in detail below.

CHECK CONTROLS

All guards are in place and tight.

Operator presence bar switch is free moving.

Inspect tires and rims for looseness, damage, and tire inflation.

CHECK CUTTING TEETH

Inspect cutting teeth for tightness and sharpness. Only use factory-approved parts for repair.

CHECK/ADD OIL

Check the oil level using the dipstick and add oil as needed.

Using a funnel, add oil up to the FULL mark on the dipstick with the recommended oil type for your engine and expected ambient conditions.

(See engine Owner's Manual for oil type and capacity, and more detailed oil check/fill instructions).



Never open oil fill port while engine is running. Hot oil can spray over face and body.

FILL STUMP GRINDER GASOLINE TANK

Check the gasoline level in the engine's fuel tank. If needed, fill tank with fresh unleaded gasoline from a portable container, after first reading the warnings and instruction below.

- DO NOT fill the gas tank to the top. Gasoline may spill when operating on a slope.
- DO NOT overfill the gasoline tank. Allow at least 1" of empty space below the fill neck to allow for fuel expansion.

#92 gasoline fuel and 10w30 engine oil



Gasoline fire/explosion hazard

Gasoline is highly flammable and explosive. Heat, sparks and flames can ignite gasoline vapors, which can become widespread during fueling. A flash fire ignition and/or explosion could result and cause serious injury or death. The following conditions could result in gasoline ignition/explosion:

- Gas vapor collection inside enclosures.
- Static electric sparks.
- Sparks from electric wiring, batteries, or running engines.
- Sources of heat (such as a hot engine or exhaust).
- Open flames, including pilot lights.

INSPECT FUEL SYSTEM/CHECK FOR LEAKS

Inspect fuel system & check for leaks BEFORE starting grinder.



Fuel leak hazard

A leaking fuel line no matter how small can be the source of a fire or explosion when starting or operating the engine.

Inspect the entire fuel system. Look for: Signs of leaks or deterioration, chafed or spongy fuel hose, loose connections, loose or missing fuel hose clamps, damaged gasoline tank, or defective gasoline shut-off valve.

If grinder is in an enclosed area and you smell gas, DO NOT start engine! DO NOT light a match. DO NOT flip on an electrical switch.

Exit area immediately leaving doors open and call fire department.

LOCKING HANDLE BAR

Handle is capable of folding when not in use.

PERSONAL PROTECTION

Use approved protective clothing and approved protective equipment when using the machine.

- Always wear safety glasses with side shields and a full-face shield.
- The use of ear plugs or other hearing protection device is also recommended for persons working within 15-20 feet (5-6.5m) of the running grinder for longer than a few minutes. Hearing can be damaged from prolonged, close-range exposure to the type of noise produced by this grinder.
- Wear long pants to protect legs from sparks, hot engine and flying debris.
- Never wear jewelry or loose-fitting clothing when starting or operating the grinder or any mechanical device. Loose or dangling apparel, jewelry or hair can become entangled in moving parts.
- Neither the machine as a whole nor its internal components are intended for use in potential explosive atmospheres.

Trim Stump with Saw	Cut or trim the stump preferably to ground level using a power saw.
Clear Area	Dig away the earth and remove any stones near the tree stump or roots that may interfere with your work.
Working During Daylight Hours	Only use the machine in daylight or in well-lit conditions. Never operate the grinder after dark.

STARTING THE GRINDER (E-START)

After you have completed the pre-start checking list and procedures, you are ready to start the grinder.

The following directions details how to start the engine of your grinder.



Never attempt to use the grinder without proper protective equipment, particularly eye protection and a full-face shield.

To start the grinder:

Note: For additional engine starting instructions see your gasoline engine manual.

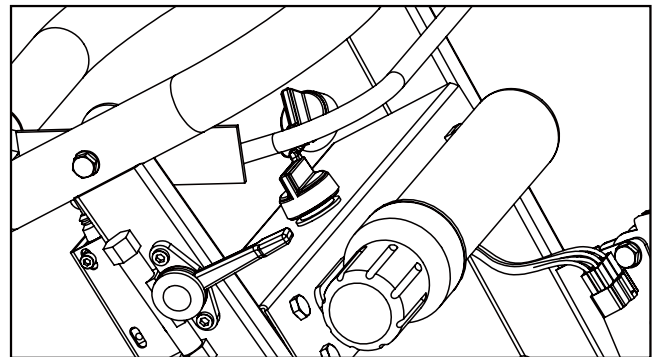
- Lock handle in the upright position.
- Place stump grinder into position with cutting wheel near the front-top edge of the stump.
- Use brake lever on handle to lock the wheel brake.

Note: For tighter brake adjustment, turn knob on top of brake lever. (See Maintenance & Repair sections for instructions).

Turn starter OFF to position ON and keep it in this position until the engine starts.

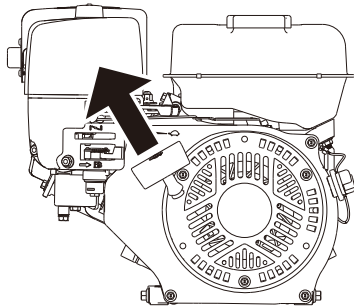
Move the switch back to position on after the engine has started.

Do not actuate the electric starter for more than 5 seconds. If the engine does not start, release the ignition switch and wait 10 seconds before actuating the starter again.



Stay in the OPERATOR POSITION (Behind the machine) while actuating controls. Never leave grinder unattended.

STARTING THE GRINDER (RECOIL START)



- Pull the starter grip lightly until you feel resistance, then pull briskly. Return the starter grip gently. If the choke lever was moved to the CLOSED position to start the engine, gradually move it to the OPEN position as the engine warms up.
- Press down on handle bar to lift cutter wheel off the ground.
- Grip throttle control lever and handle bar together in right hand. Centrifugal clutch will engage and cutter wheel will begin to rotate.

STOPPING THE ENGINE

Stop the engine using the following steps:

- While holding blade off ground, release the operator presence bar. The engine will stop. Wait until the blade completely stops. Lower the blade so it is resting against the ground.
- Make sure brake is set before leaving the controls, particularly if you are on an incline.
- Turn engine switch to OFF position.
- Allow the engine to cool for at least 30 minutes before releasing brake and moving to storage or transporting. A hot engine can be a fire hazard.

GRINDING THE STUMP



Flying Debris Hazard

Stones, chips, and debris can cause serious injury or property damage.

Debris can fly 75 ft (25m) in any direction out of the chute. They can bounce off any fixed objects as well and hit operator, bystanders or breakable objects.

- Set/engage the brake.
- Pivot the grinder toward the side of the stump, with a fairly light touch feed straight into the stump. As soon as you feed in, start to swing to the side until you feel the wheel drop off the edge of the stump.

Change direction and swing back the other way until you feel it reach the other edge of the stump. As you swing to the side listen to the engine. Provide enough feed to give it a moderate load. If you hear any belt or clutch squealing you are pushing too hard. If you can not swing it to the side, raise the grinder up.

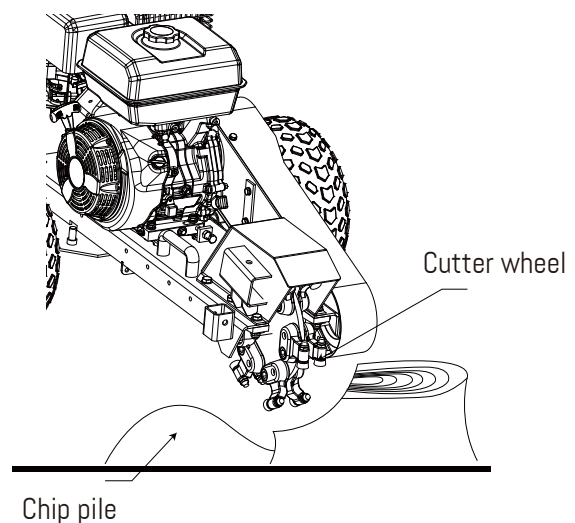
You can cut roots off by plunging straight through them.



Rotating cutter wheel

Keep hands and feet away. Contact with wheel rotating teeth will cause serious personal injury.

- When grinding larger stumps, chips may begin to build up under the wheel.
- Release brake and pull machine towards you so that the "chip pile" is directly under the cutting wheel.
- Drop cutter wheel down on "Chip pile", material will be discharged from machine area.




Flying Debris Hazard

Stones, chips, and debris can cause serious injury or property damage.

Debris can fly 75 ft (25m) in any direction out of the chute. They can bounce off any fixed objects as well and hit operator, bystanders or breakable objects.

On these large stumps, DO NOT allow grinder wheels to drop into stump hole. If a hole is in the way of your progress, fill it with chips or change position.



Stop engine and set brake before leaving operator's position. KEEP BRAKE ENGAGED except when changing locations.

- When finished, stop the engine.
- Pull machine away from stump, and rack chips away from stump.

REFUELING

- Before removing gas cap, turn engine off and allow to cool for at least two minutes.
Note: A running or hot engine can ignite fuel.
- Remove grinder gasoline cap.
- Add gasoline through the fill opening
- Use only an portable gasoline container to transfer the gasoline to the grinder's tank.
- Be aware of safety warning and instructions below for avoiding static electric caused fires.
- Do not overfill.



Static electric spark hazard

A static electric spark can explosively ignite gasoline vapor, resulting in a flash fire that could cause serious injury or death.

- Clean up gasoline spills / splashes immediately.
- If possible, move the grinder away from spilled gasoline on the ground.
- Wipe up spilled gasoline, and wait 5 minutes for excess gasoline to evaporate before starting engine.
- Gasoline soaked rags are flammable and should be disposed of properly.
- If gasoline is spilled on your skin or clothes, change clothes and wash skin immediately.
- Replace gasoline cap securely before starting engine.
- Store extra gasoline in a cool, dry place in an tightly sealed container.
- Filling towable units or portable containers at service stations:

Even if you have a towable unit, avoid static electric sparking while filling the gasoline tank:

- Never fill the grinder's gas tank directly from the fuel pump. The grinder's tank is not grounded and high velocity flow from the pump can cause static electricity build-up. Use an portable container to transfer gas to the grinder's tank.
- Use a portable container made of metal or conductive plastic. This is preferred because it dissipates static charge to ground more readily.
- Never fill a portable gas container while it is sitting inside a vehicle, trailer, trunk, or pick-up truck bed. ALWAYS place container on the ground to be filled.
- Keep nozzle in contact with container while filling. Do not use a nozzle lock-open device.

STORING THE MACHINE

When you are finished using the grinder and it has cooled, you must:

- Cool engine before storage.
- Clean the grinder.
- Inspect for worn or damaged parts.
- Choose covered storage location.
- Prevent accidental starting.
- Plan on exercising the engine at least monthly unless the grinder is prepared for long term storage.

Detailed instructions are provided below.

Cool Engine	Let engine cool for at least 30 minutes before storing. A hot engine can be a fire hazard.
Clean Grinder	Clean all grease, dirt, mud and other foreign matter from the machine. Touch up paint damage to prevent rust.
Inspect Grinder	Inspect the machine for worn or damaged parts and tighten any nuts or screws that may have become loose. Pay particular attention to the cutting teeth.

<p>Choose a Storage Location</p>	<p>Store the grinder in a location that is:</p> <ul style="list-style-type: none"> • Clean and dry • Away from sources of heat, open flames, sparks, or pilot lights, even if the grinder's gas tank is empty. Residual gasoline could ignite. • Away from extreme high or low temperatures. • Cover it for extra protection.
----------------------------------	---

REMOVE SPARK PLUG

Remove spark plug, in order to ensure the grinder cannot be started in a storage location or by untrained persons or children.

START GRINDER EVERY 4 WEEKS

The grinder should be started regularly. At least every 4 weeks, start the engine and let it run for 10 to 15 minutes.

Monthly exercising of the grinder will dry out any moisture that has accumulated, lubricate cylinders, and clean out old gas in the carburetor. Moisture, old gas, and dry mechanical parts cause deterioration in stored engines.

PREPARE ENGINE FOR LONG TERM (SEASONAL) STORAGE IF NEEDED

If you will not be able to start the grinder regularly, you must prepare the engine for long term storage to prevent gum deposits from forming and causing malfunction of the engine.

Prepare engine for long term storage by:

- Removing all gasoline from the tank and carburetor OR
- Adding fuel stabilizer to the gasoline (following manufacturer's instructions)

Fuel stabilizer steps:

1. Ensure gas tank is full.
2. Add fuel stabilizer to fuel tank.
3. Run engine at least 10 minutes after adding stabilizer to allow it to enter the fuel system.
4. Shut off engine.
5. Disconnect spark plug wire and remove spark plug.
6. Add one teaspoon oil through spark plug hole.

7. Place rag over spark plug hole and turn starter (or pull the recoil) a few times to lubricate the combustion chamber.

8. Replace spark plug, but do not reconnect the spark plug wire.



Gasoline fire / explosion hazard

Gasoline is highly flammable and explosive. Drain the fuel into an approved container OUTDOORS and far away from open flame. NEVER store an engine with fuel in the tank indoors or in poorly ventilated spaces where fuel vapor can come in contact with

- Static electric sparks.
- Sparks from electric wiring, batteries, or running engines.
- Sources of heat (such as a hot engine or exhaust).
- Open flames, including pilot lights.

MAINTENANCE

PERFORM REGULAR MAINTENANCE

Perform periodic maintenance as directed in this manual to keep the grinder in safe working condition.

FOLLOW SAFETY RULES

Read and follow these safety rules whenever you will be servicing the grinder:

- Turn off grinder. Always turn off grinder and remove spark plug or spark plug wire before working on the engine or grinder to prevent accidental starting.
- Replace guards/shields. Make sure all guards and shields are replaced after servicing the grinder.
- Burns. Muffler will be hot even after unit is stopped. Allow unit to cool before servicing.
- Repair. Major service, including the installation or replacement of parts, should be performed only by a qualified electrical service technician.
- Replacement parts. If a part needs replacement, only use factory approved repair parts. Replacement parts that do not meet specifications may result in a safety hazard or poor operation of the grinder and will void the warranty.

PERFORM ENGINE MAINTENANCE

Perform engine maintenance as specified in the engine owner's manual.

Engine maintenance items include:

- Oil and oil filter changing.
- Air filter check/replacement.
- Spark plug cleaning and replacement.
- Fuel filter check/replacement.
- Fuel tank cleaning.

INSPECT FUEL SYSTEM / CHECK FOR LEAKS

Inspect the fuel system and check for leaks on a regular basis.

Look for: signs of leaks or deterioration, chafed or spongy fuel hose, loose connections, loose or missing fuel hose clamps, damaged gasoline tank, or defective gasoline shut-off valve.

LUBRICATE

Cutter shaft bearings should be greased.

The cutter shaft bearing is greased by pumping grease into zerks located on the housing of the bearing. Lubricate after every 20 hours of use.

GREASE SPECIFICATIONS

Soap Type	Lithium Complex
NLGI Grade	#2
Dropping Point	230°C (446°F)
Additives	Corrosion and Oxidation inhibitors, EP optional
Viscosity Index	80 Minimum

CHECK AND ADJUST BRAKE

Check that the brake is functioning properly.

- Lock the brake, push down on handle bar so that cutter wheel is off the ground.
- Push or pull the grinder- if the brake is loose, the wheel will rotate.

To adjust braking tension:

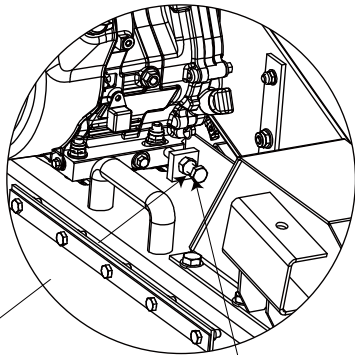
- Unscrew set screw.
- Turn knob clockwise to increase tension or counter-clockwise to decrease tension.
- Once you have set the brake to the proper tension, tighten set screw to lock adjustment knob.

BELT TENSION ADJUSTMENT

Note: Belt tension and alignment are inter-related. Do not adjust one without checking the other.

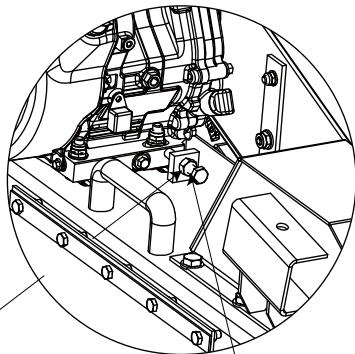
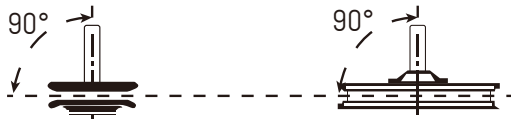
- Remove belt guard.
- Loosen engine base (mount) bolts.
- Loosen lock nuts on tension bolt and alignment bolt.
- Turn tension bolt clockwise to increase belt tension and counterclockwise to decrease belt tension.
- Check that the pulleys are aligned using a straight edge. To achieve proper pulley alignment you may need to adjust the alignment bolt. This bolt will serve as an adjustment point to counter the tension in the belts, which may cause the engine pulley to be misaligned with the cutter wheel pulley. Note: Set screws in pulley have a torque specification of 25.3kg/m.

- Belt tension is proper when a 2.27kg to 3.18kg force will deflect the belt 2/5" (1cm) at the midpoint.
- Retighten all loosened nuts and bolts.
- Reassemble belt guard.
- Belt tension is proper when a 2.27kg to 3.18kg force will deflect the belt 2/5" (1cm) at the midpoint.
- Retighten all loosened nuts and bolts.
- Reassemble belt guard.



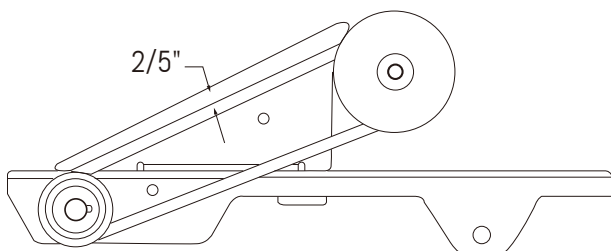
Lock nut

Tension bolt



Lock nut

Alignment bolt

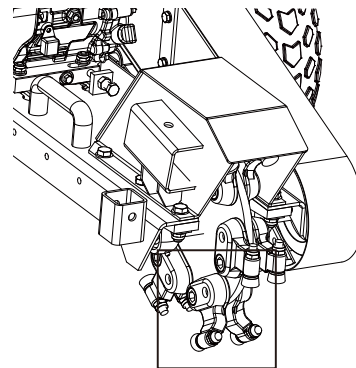


INSTALLING TEETH

Among the most critical elements of the stump grinder is the cutting wheel. It is also the most subject to damage and wear. In the course of grinding stumps it not only makes contact with the wood, but also encounters numerous abrasives and objects in the stump's environment, such as dirt, stones, large rocks and buried scrap.

The loss and wear of cutting teeth can significantly impair the efficiency and performance of the stump grinder. Therefore, it is important to make frequent inspections of the condition of all the cutting teeth and to replace any damaged or worn teeth

Thread in the bolt through the cutter wheel and into the teeth as shown, then tighten. Bolt should be torque to 60ft/lbs.



MAINTENANCE SCHEDULE



Before attempting any maintenance, be sure that the engine is shut off, the spark plug wire is removed, and the engine is cool to the touch!

Procedure	Daily	Each Use	10 hours	20 hours	40 Hours
Bearing, Shaft-Grease				▲	
Belt Tension-Tension					▲
Bolts-Tightness			▲		
Engine	See manual				
Gasoline-Amount		▲			
Safety Switch-Operation		▲			
Warning Decals-Legible	▲				
Tires, Flaps-Condition	▲				
Wires, Cables-Condition		▲			
Cutter Teeth-Sharpness		▲			



If a part needs replacement, only use parts that meet the manufacturer's specifications. Replacement parts that do not meet specifications may result in a safety hazard or poor operation of the grinder.

MechMaxx

info@mechmaxx.com