

# WOOD CHIPPER

## Assembly

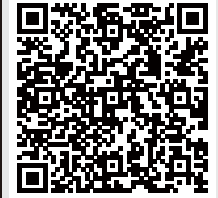
► Model: PGS1500

**⚠ WARNING**

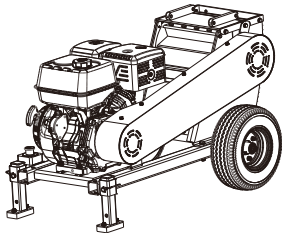


**ALWAYS READ THE USER MANUAL CAREFULLY AND FOLLOW THE SAFETY INSTRUCTIONS**

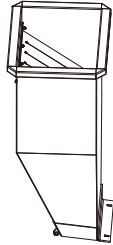
Scan to view the installation video.



### Required



Engine and base frame



In-feeding chute



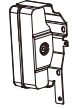
Handrail



Lower discharging chute



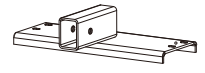
Wheels



Electric lock



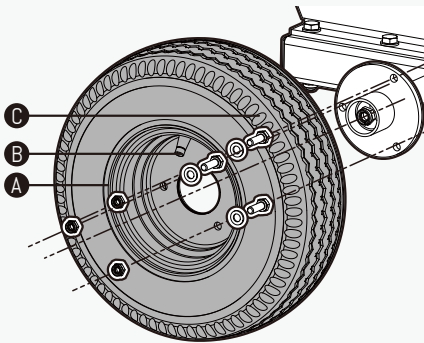
Tow bar



Tow bar base

### 01. Wheels

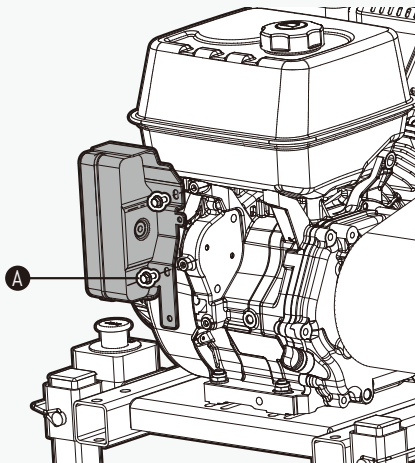
Use the M8 lock nut (A), flat washer 8 (B), and M8x25 hex bolt (C) to install the wheel onto the wheel axle.



<b>A</b> Hex lock nut M10		x 6
<b>B</b> Flat washer 10		x 6
<b>C</b> Hex bolt M8 X 25mm		x 6

### 02. Electric lock

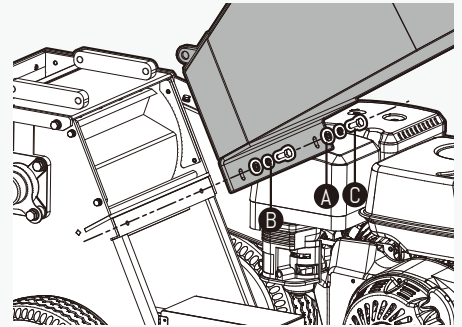
Secure the electric locking mechanism to the engine surface using an M6x12 hex bolt (A).



<b>A</b> Hex bolt M6 X 12mm		x 2
-----------------------------	--	-----

### 03. In-feeding chute

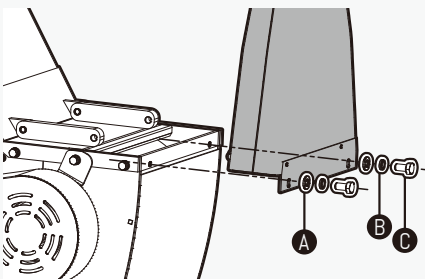
Position the feed mechanism onto the blade chassis so that the mounting hole aligns with the corresponding hole on the feed. Secure it with Flat washer 8 (A), Spring washer 8 (B), and M8x20 hex bolts (C).



<b>A</b> Flat washer 8		x 2
<b>B</b> Spring washer 8		x 2
<b>C</b> Hex bolt M8 X 20mm		x 2

### 04. Lower discharging chute

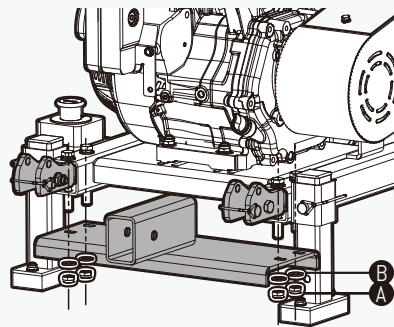
Position the discharge chute onto the blade chassis so that the mounting holes align with the corresponding holes on the chassis. Secure it with Flat washer 8 (A), Spring washer 8 (B), and M8x16 hex bolts (C).



<b>A</b> Flat washer 8		x 2
<b>B</b> Spring washer 8		x 2
<b>C</b> Hex bolt M8 X 16mm		x 2

### 05. Tow bar base

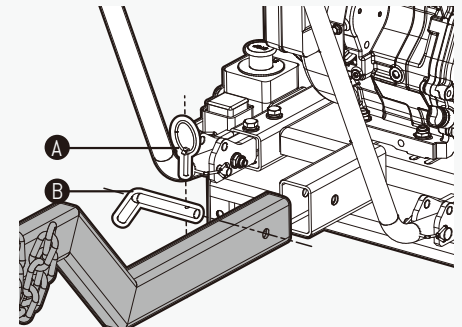
Align the tow bar base with the chassis mounting hole. Secure it with a Flat washer 10 (B) and an M10 lock nut (A).



<b>A</b> Hex lock nut M10		x 4
<b>B</b> Flat washer 10		x 4

### 06. Tow bar

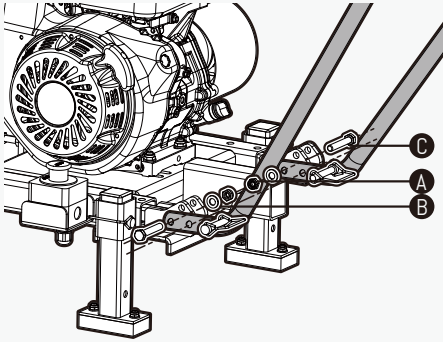
Position the tow bar valve into the tow bar base and align the mounting holes. First, secure it with a fixed pin (A), then fasten it with an O-type pin (B).



<b>A</b> Fixed pin		x 1
<b>B</b> O type pin		x 1

**07. handrail**

Use the flat washer 10 (B), M10 lock nut (A), M10×60 hex bolt (C), and square pin to assemble the handle onto the machine.



<b>A</b>	Hex lock nut M10	 x 6
<b>B</b>	Flat washer 10	 x 6
<b>C</b>	Hex bolt M8 X 25mm	 x 6