

WOOD CHIPPER

Assembly

► Model: GS650

WARNING

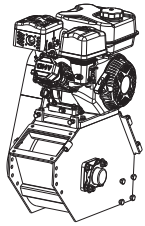


ALWAYS READ THE USER MANUAL CAREFULLY AND FOLLOW THE SAFETY INSTRUCTIONS

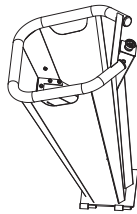
Scan to view the installation video.



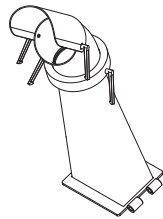
Required



Engine and base frame



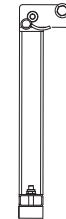
In-feeding chute



Lower discharging chute



Tow bar



Support feet



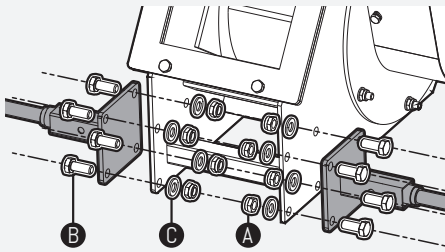
Wheels



Axle

01. Axle

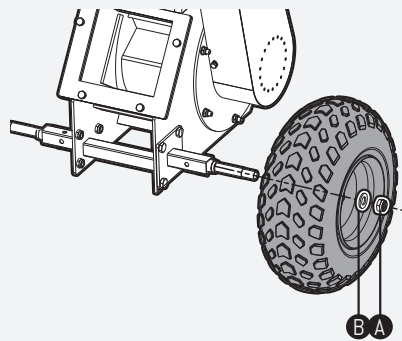
Attach the wheel axle to the base frame using M10x80 hex bolts (B), Flat washers 10 (C), and M10 lock nuts (A).



A	Hex lock nut M10	x 8
B	Hex bolt M10 X 80mm	x 8
C	Flat washer 10	x 8

02. Wheels

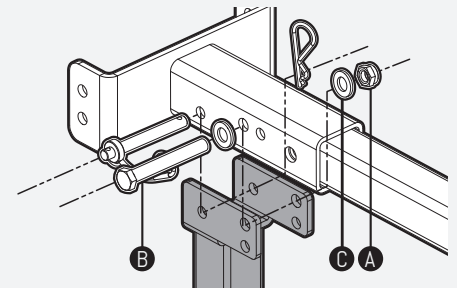
Install the wheel onto the wheel axle with a Hex Lock Nut M10 (A) and Flat Washer 10 (B).



A	Hex lock nut M10	x 2
B	Flat washer 10	x 2

03. Support feet

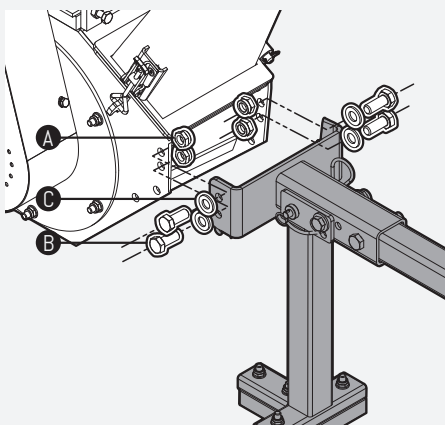
Attach the support feet to the tow bar using M10x80 hex bolts (B), Flat washer 10 (C), and M10 lock nuts(A).



A	Hex lock nut M10	x 1
B	Hex bolt M10 X 80mm	x 1
C	Flat washer 10	x 2

04. Tow bar

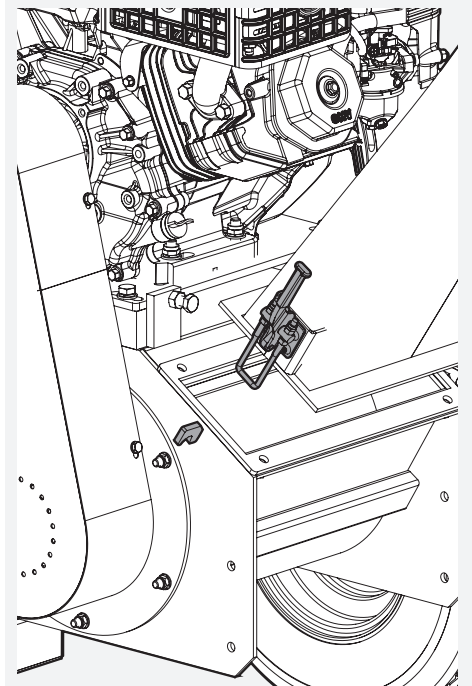
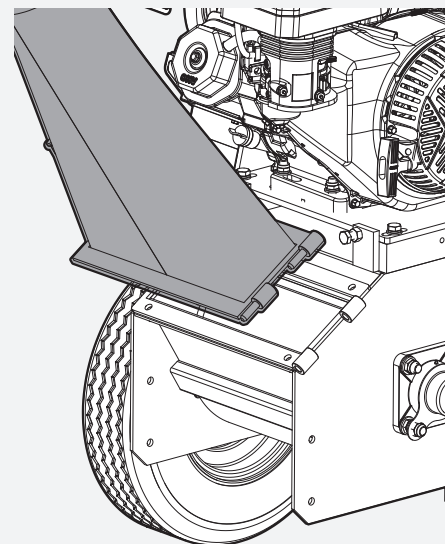
Attach the tow bar to the base frame using M10x25 hex bolts (B), M10 lock nuts (A), and 10 mm washer (C).



A	Hex lock nut M10	x 4
B	Hex bolt M10 X 25mm	x 4
C	Flat washer 10	x 4

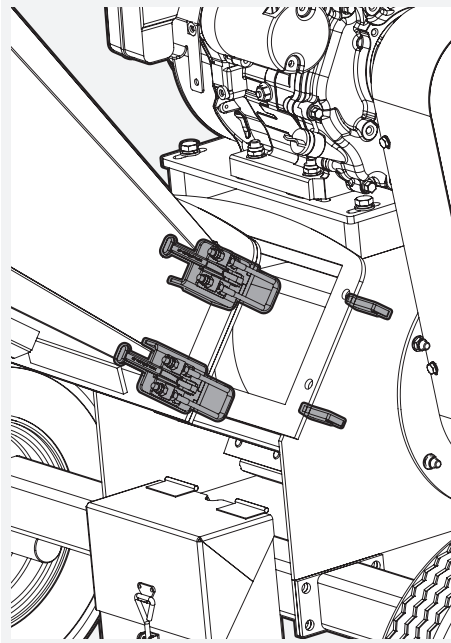
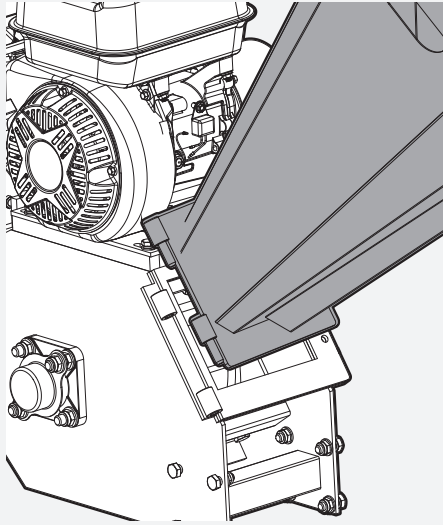
05. Lower discharging chute

Install the discharge bucket on the base and close a safety clip.



06. Infeed chute

Install the infeed chute onto the base frame and secure it with the two safety clasps.



07. Emergency Stop

The Emergency Stop wiring is located near the engine. Simply connect the wires as required.

