

WOOD CHIPPER

Assembly

► Model: GS1500

⚠ WARNING

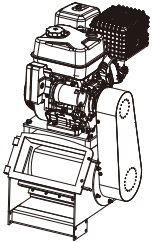


ALWAYS READ THE USER MANUAL CAREFULLY AND FOLLOW THE SAFETY INSTRUCTIONS

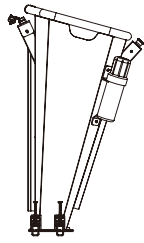
Scan to view the installation video.



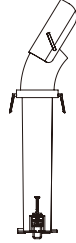
Required



Engine and base frame



In-feeding chute



Lower discharging chute



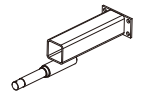
Tow bar



Support feet



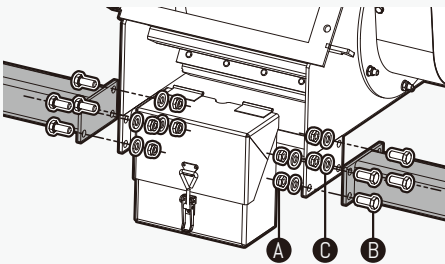
Wheels



Axle

01. Axle

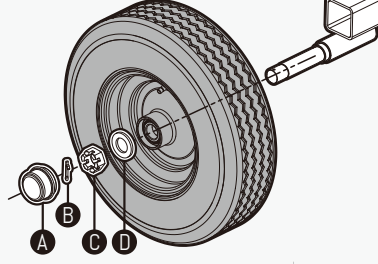
Attach the wheel axle to the base frame using M10x25 hex bolts (B), Flat washers 10 (C), and M10 lock nuts (A).



| | | | |
|----------|---------------------|--|-----|
| A | Hex lock nut M10 | | x 8 |
| B | Hex bolt M10 X 80mm | | x 8 |
| C | Flat washer 10 | | x 8 |

02. Wheels

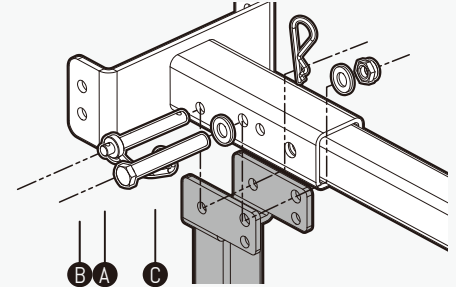
Install the wheel onto the axle using Flat washer C (D), Hexagon slotted thin nut (C), Cotter pin 4x28 (B), and Dust cover (A).



| | | | |
|----------|--------------------------|--|-----|
| A | Flat washer C | | x 2 |
| B | Hexagon slotted thin nut | | x 2 |
| C | Cotter pin 4x28 | | x 2 |
| D | Dust cover | | x 2 |

03. Support feet

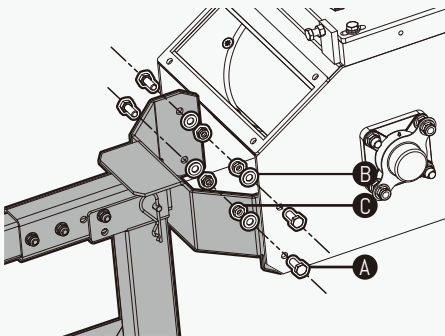
Attach the support feet to the tow bar using M10x80 hex bolts, 10 mm spring washers, and M10 lock nuts.



| | | | |
|----------|---------------------|--|-----|
| A | Spring washer 12 | | x 8 |
| B | Hex bolt M12 X 35mm | | x 8 |
| C | Flat washer 12 | | x 8 |

04. Tow bar

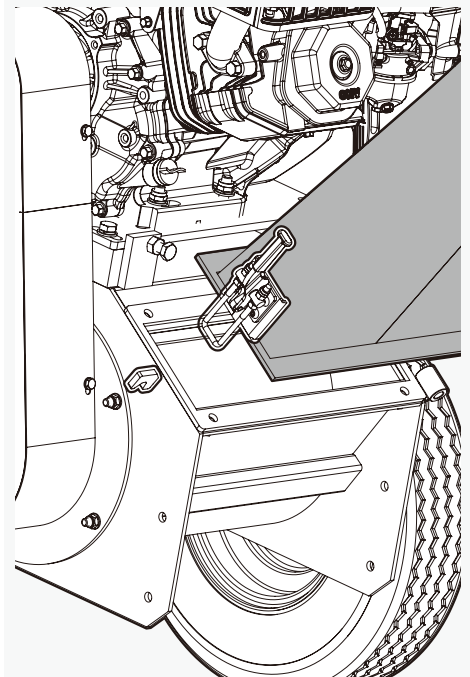
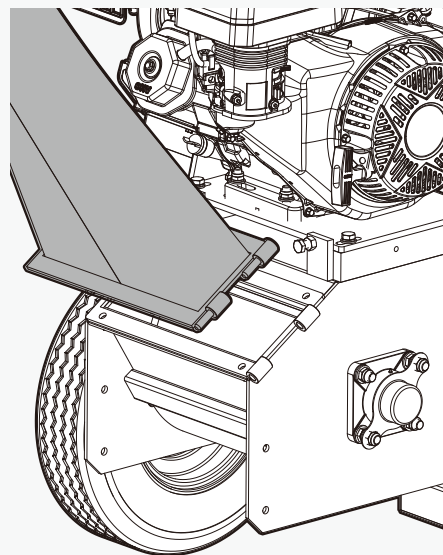
Attach the tow bar to the base frame using M10x25 hex bolts (A), Flat washers 10 (B), and M10 lock nuts (C).



| | | | |
|----------|---------------------|--|-----|
| A | Hex bolt M10 X 25mm | | x 1 |
| B | Flat washer 10 | | x 1 |
| C | Hex lock nut M10 | | x 2 |

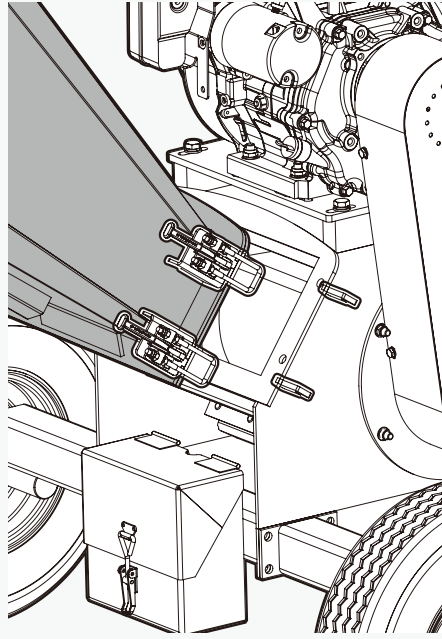
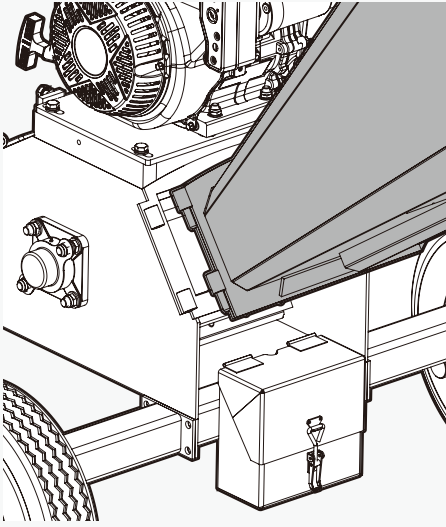
05. Lower discharging chute

Install the discharge bucket onto the base and secure it with a safety clip.



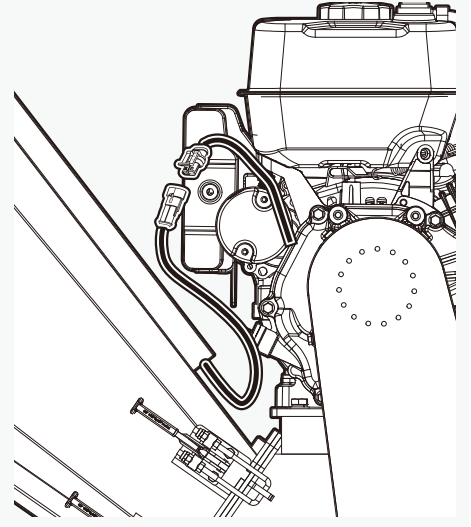
06. Infeed chute

Install the infeed chute onto the base frame and secure it with the two safety clasps.



07. Emergency Stop

The Emergency Stop wiring is located near the engine. Simply connect the wires as required.



08. Electric Start

For the Electric Start wiring, route the wire from the engine area through the triangular post beneath the infeed chute. Remove the Electric Start switch before connecting the wires. Once wiring is complete, reinstall the switch.

