

# BX42S WOOD CHIPPER 3 POINT



## Operator's Manual

***MechMaxx***

[www.mechmaxx.com](http://www.mechmaxx.com)



Your new PTO Wood Chipper offers quality construction, and is easy and safe to operate. With proper use and care, it is designed to give you many years of dependable service.

Prepare to experience the durability to take on any job with the ease, portability, and convenience of your new PTO Wood Chipper !

**MAX performance,MAX Value,MAX Support that's PTO Wood Chipper**

- ✓ Enhanced design features come standard
- ✓ Engineered for the best user experience
- ✓ Quality metal parts are used instead of plastic
- ✓ A robust warranty supports all products
- ✓ Budget-friendly prices make it practical

**TABLE OF CONTENTS**

<b>TABLE OF CONTENTS</b>	<b>1</b>	MOUNTING AND UNHOOKING TRACTOR	<b>11</b>
<b>SPECIFICATIONS</b>	<b>2</b>	CHIPPING OPERATION	<b>12</b>
OVERALL DIMENSIONS	2	UNPLUGGING	12
<b>SAFETY SIGNS</b>	<b>3</b>	SEVERE PLUG	<b>13</b>
<b>SAFETY</b>	<b>4</b>	<b>MAINTENANCE</b>	<b>14</b>
GENERAL SAFETY	4	BLADE AND BREAKER MAINTENANCE	14
EQUIPMENT SAFETY GUIDELINES	4	ROTOR BLADES	14
SAFETY TRAINING	5	LEDGER BLADES	15
SAFETY SIGNS	5	CHECKING BOLT TORQUE	15
PREPARATION	6	ENGLISH TORQUE SPECIFICATIONS	15
MAINTENANCE SAFETY	6	METRIC TORQUE SPECIFICATIONS	15
OPERATING SAFETY	6	<b>PARTS DIAGRAM</b>	<b>16</b>
STORAGE SAFETY	7	<b>PARTS LIST</b>	<b>17</b>
TRANSPORT SAFETY	7		
OPERATION SAFETY	7		
TO THE NEW OPERATOR OR OWNER	8		
<b>MACHINE COMPONENTS</b>	<b>9</b>		
<b>OPERATION</b>	<b>10</b>		
PRE-OPERATIONAL CHECKLIST	10		
MACHINE SET- UP	10		
TRIMMING THE PTO SHAFT	10		

## SPECIFICATIONS

Model	BX42S
Tractor Power	18-45HP
Max. Throughput Capacity	4 in
Infeed Opening	4*10 in
Infeed Chute Opening	20*20 in
Feeding Opening	Gravity Feed
Discharge Chute Rotation	360 Degrees
Rotor Diameter	26 in
Rotor Thickness	0.2 in
Rotor Weight	82 lbs
Number Of Blades	4+1
Blade Weight	0.9 lbs
Blade (Tines) Material	4CrW2Si
PTO Shaft RPM	540 RPM
Flywheel Speed	540 RPM
Drive Type	PTO
Driveline Shaft Length	T5-LF-31 in with shear bolt ,31.5-43 in
3-Point Hitch	CAT 1
Dimensions (L x Wx H)	38x 33x 43 in
Finsh	Powder Coat Paint Galvanized Steel
Warranty	1 year
Net Weight	395 lbs
Gross Weight	439 lbs

## SAFETY SIGNS

The rating plate on your machine may show symbols. These represent important information about the product or instructions on its use.

**⚠ CAUTION ⚠**

- Read and understand operator's manual before starting. Review safety instructions annually.
- Turn machine off, stop and disable engine, remove ignition key and place in your pocket, set park brake and wait for all moving parts to stop before adjusting, servicing, maintaining, repairing or unplugging.
- Keep the working area clean and free of debris to prevent slipping or tripping. Operate only on level ground.
- Close and secure rotor cover before operating.
- Close and secure all guards, deflectors and shields before starting and operating.
- Keep hydraulic lines and fittings tight, in good condition and free of leaks.
- Keep hands, feet, hair and clothing away from moving parts. Never wear loose clothing around machinery.
- Keep driveline universal joint angles equal and small as possible.
- Do not point discharge at people, animals or buildings. Rotor can expel wood chips fast enough to cause injury.
- Do not allow children, animals or unauthorized people into working area.
- Do not run machine inside a closed building to prevent asphyxiation from engine exhaust.
- Use care when feeding material into chipper. Do not send metal, bottles, cans, rocks, glass or other foreign material into wood chipper. If foreign material enters chipper, stop the machine, turn engine off and place ignition key in your pocket and wait for all moving parts to stop before removing material and/or unplugging. Inspect machine for damaged or loose parts before returning to work.
- Always wear P.P.E.(Personal Protective Equipment) such as safety goggles and heavy gloves whenever operating machine.
- Do not place hands or any body parts into feed hopper during operation.
- Do not move or transport chipper when the rotor is turning.
- Do not exceed a safe travel speed when transporting.Z94006

**⚠ DANGER ⚠**

**THROWN OBJECT HAZARD**

To prevent serious injury or death from thrown objects:

- Turn machine off, stop and disable engine,remove ignition key and place in your pocket, set park brake and wait for all moving parts to stop before adjusting, servicing, maintaining, repairing or unplugging. Do not direct discharge duct towards people, animals or property. Always wear appropriate safety gear. Keep hands and feet out of discharge openings. Keep others away.

**⚠ DANGER ⚠**

**ROTATING DRIVELINE HAZARD  
KEEP AWAY**

To prevent serious injury or death from rotating driveline:

- Keep all guards in place when operating.
- Operate only at 540 RPM.
- Keep hands, feet, hair and clothing away from moving parts.
- Keep U-joint angles equal and small as possible.
- Do not exceed driveline manufacturers recommended operating length.

**⚠ DANGER ⚠**

**ROTATING CUTTING BLADES**

Keep hands and feet out of inlet and discharge openings while machine is operating to avoid serious personal injury. Stop engine,remove spark plug wire and allow machine to come to a complete stop before clearing obstructions or making adjustments.

## SAFETY

This manual will take you step-by-step through your working day and alerts you to all good safety practices that should be used while using the Skid Steer Mounted Wood Chipper.

Remember, YOU are the key to safety. Good safety practices not only protect you but also the people around you. Make these practices a working part of your safety program. Be certain that EVERYONE using this equipment is familiar with the recommended using and maintenance procedures and follows all the safety precautions. Most accidents can be prevented. Do not risk injury or death by ignoring good safety practices.

- Skid Steer Mounted Wood Chipper owners must give operating instructions to operators or employees before allowing them to operate the machine, and at least annually thereafter.
- The most important safety device on this equipment is a SAFE operator. It is the operator's responsibility to read and understand ALL Safety and Operating instructions in the manual and to follow these. Most accidents can be avoided.
- A person who has not read and understood all using and safety instructions is not qualified to use the machine. An untrained operator exposes himself and bystanders to possible serious injury or death.
- Do not modify the equipment in any way. Unauthorized modification may impair the function and/or safety and could affect the life of the equipment.
- Think SAFETY! Work SAFELY!

### GENERAL SAFETY

Read and understand the Operator's Manual and all safety signs before using, maintaining, adjusting or cleaning the Skid Steer Mounted Wood Chipper.

Have a first-aid kit available for use should the need arise and know how to use it.

Have a fire extinguisher available for use should the need arise and know how to use it.

Do not allow riders.

Wear appropriate protective gear. This list includes but is not limited to:

- Protective shoes with slip resistant soles
- Protective glasses, goggles, or face shield
- Heavy gloves
- Wet weather gear
- Hearing Protection
- Respirator or filter mask

Install and secure all guards before starting.

Wear suitable ear protection for prolonged exposure to excessive noise.

Turn machine off, stop and disable engine, remove ignition key and place in your pocket, set park brake and wait for all moving parts to stop before servicing, adjusting, repairing, or unplugging.

Clear the area of people, especially small children, before using the unit.

Review safety related items annually with all personnel who will operating or maintaining the Skid Steer Mounted Wood Chipper.

Install and secure all guards before starting.

Wear suitable ear protection for prolonged exposure to excessive noise.

Turn machine off, stop and disable engine, remove ignition key and place in your pocket, set park brake and wait for all moving parts to stop before servicing, adjusting, repairing, or unplugging.

Clear the area of people, especially small children, before using the unit.

Review safety related items annually with all personnel who will operating or maintaining the Skid Steer Mounted Wood Chipper.

### EQUIPMENT SAFETY GUIDELINES

Safety of the operator and bystanders is one of the main concerns in designing and developing equipment. However, every year many accidents occur which could have been avoided by a few seconds of thought and a more careful approach to handling equipment. You, the operator, can avoid many accidents by observing the following precautions in this section. To avoid personal injury or death, study the following precautions and insist those working with you, or for you to follow them.

In order to provide a better view, certain photographs or illustrations in this manual may show an assembly with a safety shield removed. However, equipment should never be used in this condition. Keep all shields in place. If shield removal becomes necessary for repairs, replace the shield prior to use.

Replace any safety sign or instruction sign that is not readable or is missing. Location of such safety signs is indicated in this manual.

Never use alcoholic beverages or drugs which can hinder alertness or coordination while using this equipment. Consult your doctor about using this machine while taking prescription medications.

Under no circumstances should young children be allowed to work with this equipment. Do not allow persons to use or assemble this unit until they have read this manual and have developed a thorough

understanding of the safety precautions and of how it works. Review the safety instructions with all users annually.

This equipment is dangerous to children and persons unfamiliar with its operation. The operator should be a responsible, properly trained and physically able person familiar with machinery and trained in this equipment's operations. If the elderly are assisting with work, their physical limitations need to be recognized and accommodated.

Never exceed the limits of a piece of machinery. If its ability to do a job, or to do so safely, is in question

- DON'T TRYIT.

Do not modify the equipment in any way. Unauthorized modification may result in serious injury or death and may impair the function and life of the equipment.

In addition to the design and configuration of this implement, including Safety Signs and Safety Equipment, hazard control and accident prevention are dependent upon the awareness, concern, prudence, and proper training of personnel involved in the operation, transport, maintenance, and storage of the machine. Refer also to Safety Messages and operation instruction in each of the appropriate sections of the skid steer and machine manuals. Pay close attention to the Safety Signs affixed to the skid steer and the machine.

## SAFETY TRAINING

Safety is a primary concern in the design and manufacture of our products. Unfortunately, our efforts to provide safe equipment can be wiped out by a single careless act of an operator or bystander.

In addition to the design and configuration of equipment, hazard control and accident prevention are dependent upon the awareness, concern, prudence, and proper training of personnel involved in the operation, transport, maintenance, and storage of this equipment.

It has been said, "The best safety feature is an informed, careful operator." We ask you to be that kind of an operator. It is the operator's responsibility to read and understand ALL Safety and Using instructions in the manual and to follow these. Accidents can be avoided.

the machine. If this machine is used by any person other than yourself, or is loaned or rented, it is the machine owner's responsibility to make certain that the operator, prior to using:

- Reads and understands the operator's manuals.
- Is instructed in safe and proper use.

Know your controls and how to stop the skid steer tractor and machine quickly in an emergency. Read this manual and the one provided with skid steer tractor.

Train all new personnel and review instructions frequently with existing workers. Be certain only properly trained and physically able person will use the machinery. A person who has not read and understood all using and safety instructions is not qualified to use the machine. An untrained operator exposes himself and bystanders to possible serious injury or death. If the elderly are assisting with the work, their physical limitations need to be recognized and accommodated.

## SAFETY SIGNS

Always keep safety signs clean and legible.

Replace safety signs that are missing or have become illegible.

Replaced parts that displayed a safety sign should also display the current sign.

Safety signs are available from your authorized Distributor or Dealer Parts Department or the factory.

## PREPARATION

Never use the machine until you have read and completely understand this manual, the skid steer tractor Operator's Manual and each of the Safety Messages found on the safety signs on the skid steer tractor and machine.

Personal protection equipment including hard hat, safety glasses, safety shoes, and gloves are recommended during assembly, installation, operation, adjustment, maintaining, repairing, removal, cleaning, or moving the unit. Do not allow long hair, loose fitting clothing or jewelry to be around equipment.

**PROLONGED EXPOSURE TO LOUD NOISE MAY CAUSE PERMANENT HEARING LOSS!** Power equipment with or without equipment attached can often be noisy enough to cause permanent, partial hearing loss. We recommend that you wear hearing protection on a full-time basis if the noise in the Operator's position exceeds 80db. Noise over 85db on a long-term basis can cause severe hearing loss. Noise over 90db adjacent to the Operator over a long-term basis may cause permanent, total hearing loss. **NOTE:** Hearing loss from loud noise (from tractors, chain saws, radios, and other such sources close to the ear) is cumulative over a lifetime without hope of natural recovery.

Clear working area of stones, branches or hidden obstacles that might be hooked or snagged, causing injury or damage.

Use only in daylight or good artificial light.

Be sure machine is properly mounted, adjusted and in good operating condition.

Ensure that all safety shielding, and safety signs are properly installed and in good condition.

## MAINTENANCE SAFETY

Good maintenance is your responsibility. Poor maintenance is an invitation to trouble.

Follow good shop practices. - Keep service area clean and dry. - Be sure electrical outlets and tools are properly grounded. - Use adequate light for the job at hand.

Make sure there is plenty of ventilation. Never operate the engine of the towing vehicle in a closed building. The exhaust fumes may cause asphyxiation.

Before working on this machine, shut off the engine, set the brake, and turn fuel valve off.

Never work under equipment unless it is blocked securely.

Always use personal protection devices such as eye, hand and hearing protectors, when performing any service or maintenance work. Use heavy or leather gloves when handling blades.

Where replacement parts are necessary for periodic maintenance and servicing, genuine factory replacement parts must be used to restore your equipment to original specifications. The manufacturer

will not be responsible for injuries or damages caused by use of unapproved parts and/or accessories.

A fire extinguisher and first aid kit should be kept readily accessible while performing maintenance on this equipment.

Periodically tighten all bolts, nuts and screws and check that all electrical and fuel connections are properly secured to ensure unit is in a safe condition.

When completing a maintenance or service function, make sure all safety shields and devices are installed before placing unit in service.

## OPERATING SAFETY

Please remember it is important that you read and heed the safety signs on the Skid Steer Mounted Wood Chipper. Clean or replace all safety signs if they cannot be clearly read and understood. They are there for your safety, as well as the safety of others. The safe use of this machine is strictly up to you, the operator.

All things with moving parts are potentially hazardous. There is no substitute for a cautious, safe-minded operator who recognizes potential hazards and follows reasonable safety practices. The manufacturer has designed this Skid Steer Mounted Wood Chipper to be used with all its safety equipment properly attached, to minimize the chance of accidents. Study this manual to make sure you have all safety equipment attached.

Close and secure rotor cover before operating.

Close and secure all guards, deflectors and shields before starting and operating.

Read and understand operator's manual before starting. Review safety instructions annually.

Personal protection equipment including hearing protection, hard hat, safety glasses, safety shoes, and gloves are recommended during assembly, installation, operation, adjustment, maintaining, repairing, removal, or moving. Do not allow long hair, loose-fitting clothing, or jewelry to be around moving parts.

Keep hydraulic lines and fittings tight, in good condition and free of leaks.

Never place any part of your body where it would be in danger if movement should occur during assembly, installation, operation, maintenance, repairing, unplugging, or moving.

Turn machine off, stop engine, remove ignition key and place in your pocket, set park brake and wait for all moving parts to stop before servicing, adjusting, repairing or unplugging.

Do not run machine inside a closed building to prevent asphyxiation from engine exhaust.

Use care when feeding material into chipper. Do not send metal, bottles, cans, rocks, glass or other foreign material into wood chipper. If foreign material enters chipper, stop machine, turn engine off and place ignition key in your pocket and wait for all moving parts to stop before removing material and/or unplugging. Inspect machine for damaged or loose parts before resuming work.

Never use alcoholic beverages or drugs which can hinder alertness or coordination while operating this equipment. Consult your doctor about operating this machine while taking prescription medications.

Do not allow riders on this machine at any time. There is no safe place for any riders.

Never allow children or unauthorized people to operate or be around this machine.

Do not reach into rotor or feed hopper openings when the engine is running. Install and secure access covers before starting engine.

Keep the working area clean and free of debris to prevent tripping. Operate only on level ground.

Do not point discharge at people, animals or buildings. Rotor can expel wood chips fast enough to cause injury.

Do not move or transport chipper when the rotor is turning.

Do not exceed a safe travel speed when transporting.

## **STORAGE SAFETY**

Store the unit in an area away from human activity.

Do not allow children to play on or around the stored machine.

Store the unit in a dry, level area. Support the frame with planks if required.

## **TRANSPORT SAFETY**

Comply with state and local laws governing safety and transporting of machinery on public roads.

Check that all the lights, reflectors and other lighting requirements are installed and in good working condition.

Do not exceed a safe travel speed. Slow down for rough terrain and cornering.

Fold up and secure feed hopper before moving or transporting.

Be sure the chipper is attached positively to the skid steer with the lock pins fully engaged.

Do not drink and drive.

Be a safe and courteous driver. Always yield to oncoming traffic in all situations, including narrow bridges, intersections, etc. Watch for traffic when operating near or crossing roadways.

Never allow riders on the machine.

## **OPERATION SAFETY**

Read and understand operator's manual before starting. Review safety instructions annually.

Turn machine off, stop engine, remove ignition key and place in your pocket, set park brake and wait for all moving parts to stop before servicing, adjusting, repairing, or unplugging.

Keep the working area clean and free of debris to prevent tripping. Operate only on level ground.

Close and secure rotor cover before operating.

Close and secure all guards, deflectors, and shields before starting and operating.

Keep hydraulic lines and fittings tight, in good condition and free of leaks.

Do not point discharge at people, animals or buildings. Rotor can expel wood chips fast enough to cause injury.

Do not allow children, animals, or unauthorized people into the working area.

Do not run machine inside a closed building to prevent asphyxiation from engine exhaust.

Use care when feeding material into chipper. Do not send metal, bottles, cans, rocks, glass or other foreign material into wood chipper. If foreign material enters chipper, stop machine, turn engine off and place ignition key in your pocket and wait for all moving parts to stop before removing material and/or unplugging. Inspect machine for damaged or loose parts before resuming work.

Always wear P.P.E. (Personal Protective Equipment) such as safety goggles and heavy gloves whenever operating machine.

Do not place hands or any body parts into feed hopper during operation.

Do not move or transport chipper when the rotor is turning.

Do not exceed a safe travel speed when transporting.

## **TO THE NEW OPERATOR OR OWNER**

The MechMaxx 3 Point Wood Chippers are designed to chip or chop scrap lumber, small trees, brush, limbs and other wood debris . The chipped material is fine enough to be composted or used in a variety of ways.

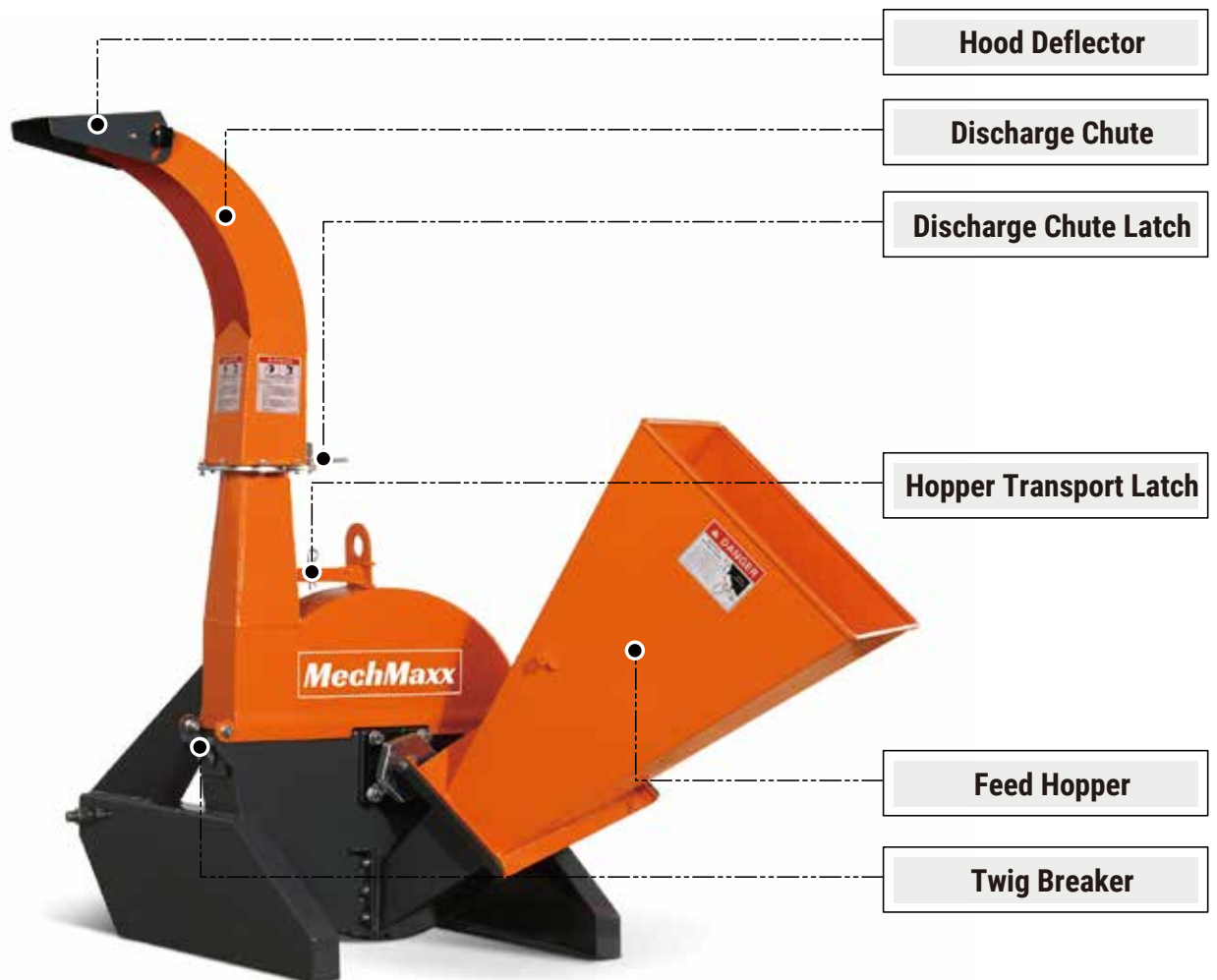
It is the responsibility of the owner or operator to read this manual and to train all other operators before they start working with the machine . Follow all safety instructions exactly. Safety is everyone's business By following recommended procedures, a safe working environment is provided for the operator, bystanders, and the area around the worksite . Untrained operators are not qualified to use the machine.

Follow all safety instructions exactly. Safety is everyone's business. By following recommended procedures, a safe working environment is provided for the operator, bystanders, and the area around the worksite . Untrained operators are not qualified to operate the machine . Many features incorporated into this machine are the result of suggestions made by customers like you . Read this manual carefully to learn how to use the chipper safely and how to set it to provide maximum field efficiency. By following the using instructions in conjunction with a good maintenance program, your 3 Point Wood Chipper will provide many years of trouble-free service.

## MACHINE COMPONENTS

The MechMaxx 3 Point Wood Chipper is a rotor with blades for chipping wood . A hinged feed hopper moves the wood material into the rotor. Each rotor is designed with 2 blades and a twig-breaker to generate the small pieces of wood . A stationary knife at the rear of the rotor housing is placed by the moving knives to shear, chip or chop the material.

The skid steer tractor provides rotational power through its hydraulic system into the hydraulic motor on the rotor shaft . This drive system is contained in the front frame.



## OPERATION

Although there are no operational restrictions on the Wood Chipper when used for the first time, it is recommended that the following mechanical items be checked:

- After operating for 1 hour:
  1. Torque all fasteners and hardware.
  2. Check condition of rotor bearings.
  3. Check the condition and clearance of the twig-breaker, rotor and stationary blades. Adjust or replace as required.
  4. Check for entangled material. Remove all entangled material before resuming work.
  5. Lubricate all grease fittings.
- After operating for 10 hours:
  1. Repeat steps 1 through 5 listed above.
  2. Go to the normal servicing and maintenance schedule as defined in the Maintenance Section.

### PRE-OPERATIONAL CHECKLIST

Efficient and safe operation of the MechMaxx 3 Point Wood Chipper requires that each operator reads and understands the using procedures and all related safety precautions outlined in this section. A pre-operation checklist is provided for the operator. It is important for both the personal safety and maintaining good mechanical condition that this checklist is followed.

Before operating the Wood Chipper and each time thereafter, the following areas should be checked off:

1. Lubricate the machine per the schedule outline in the Maintenance Section.
2. Check the rotor, blades, and twig-breaker. Remove any twine, wire or other material that has become entangled.
3. Check the condition and clearance of the twig-breaker, rotor, and stationary blades. Adjust or replace as required.
4. Check that all bearings turn freely. Replace any that are rough or seized.
5. Make sure that all guards and shields are in place, secured and functioning as designed. Check the condition of the curtain in the feed hopper. It must be in good condition to prevent chips

### MACHINE SET- UP

Follow this procedure to prepare and setup the machine at the work site:

1. Use the skid steer to position the Wood Chipper at the work site.

#### IMPORTANT

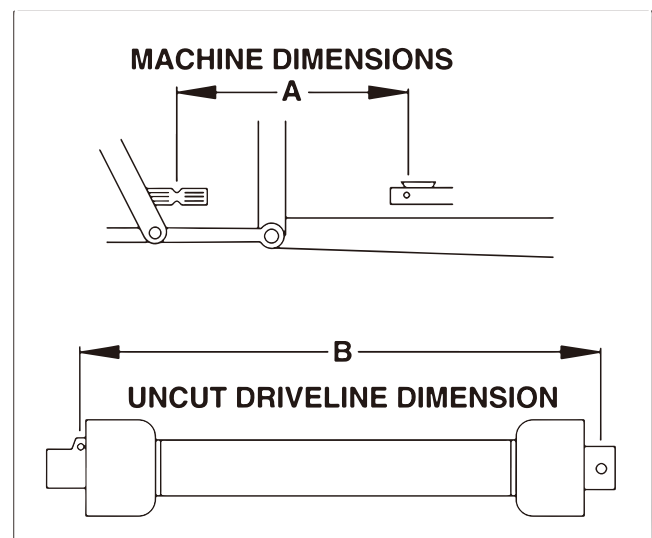
Position the machine so the prevailing wind/breeze blows the exhaust gases/fumes away from the operator's station.

2. Lower the feed hopper down into its working configuration:

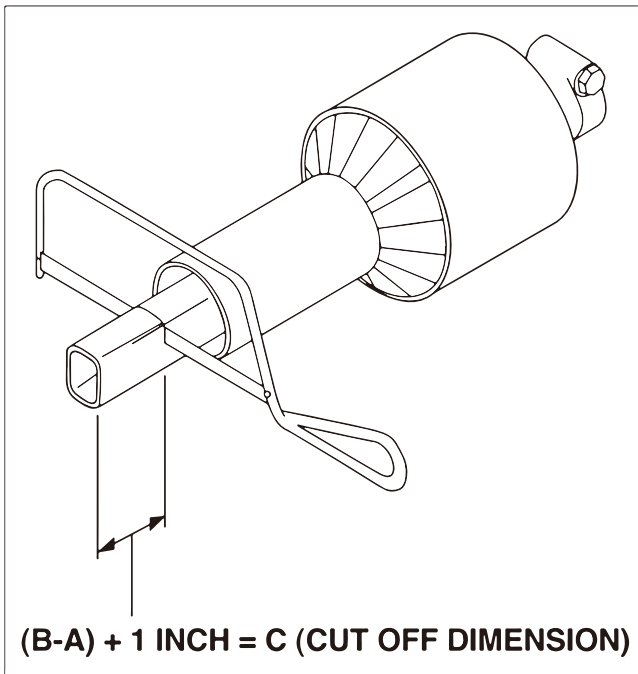
- remove the nuts on the hopper anchor bolts,
- unpin and the feeder hopper latch
- carefully lower the hopper and secure it with the with the nuts on the anchor bolts.
- Secure the feed hopper latch to the discharge chute with the latch pin

### TRIMMING THE PTO SHAFT

A PTO drive line is supplied with the machine. To accompany the variety of 3 point hitch geometry available today, the drive line can be too long for most machines or too short for others. It is very important that the drive line be free to telescope but not to bottom out when going through its working range. If the drive line bottoms out, the bearings on both the machine and tractor PTO shaft will be overloaded and fail in a short time.

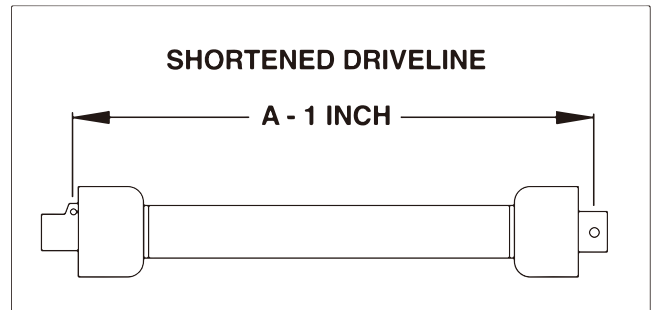


1. To determine the proper length of the drive line, follow this procedure:
  - a. Clear the area of bystanders, especially small children.
  - b. Attach the chipper to the tractor but do not attach the drive line.
  - c. Raise the machine until the input shaft is level with the tractor PTO shaft.
  - d. Measure the dimension between the locking grooves on the tractor PTO shaft and the machine input shaft.
  - e. Measure the same dimensions on the compressed drive line.
  - f. If the compressed drive line dimension exceeds the machine dimension, the drive line will have to be cut.



2. When cutting the drive line, follow this procedure:
  - a. Subtract the machine dimension (A) from the uncut drive line dimension (B) or (B-A). This dimension determines how much too long the drive line is.
  - b. Add another inch (25 mm) to the dimension to be sure it doesn't bottom out, to determine (C) the cut off dimension.
  - c. Use a hacksaw to cut dimension (C) from both ends. Cut both the plastic tubes and the metal cores.
  - d. Use a file to remove the burrs from the edges that were cut.
  - e. Assemble the 2 ends of the shaft.

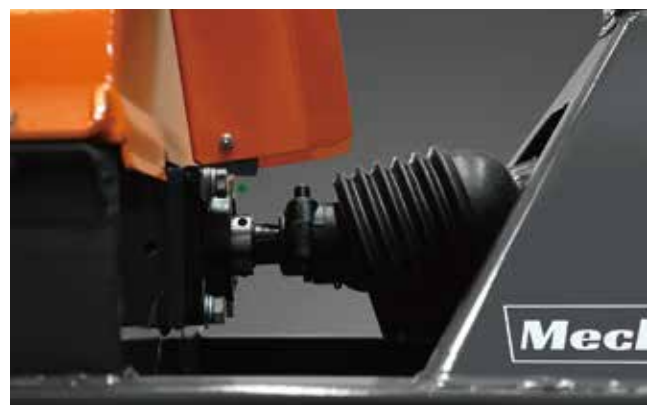
- f. Make sure the shaft can telescope freely. If it does not, separate the 2 parts and inspect for burrs or cuttings on the shaft ends. Be sure it telescopes freely before installing.



## MOUNTING AND UNHOOKING TRACTOR

When attaching chipper to a tractor, follow this procedure.

1. Clear the area of bystanders, especially small children.
2. Make sure there is enough room and clearance to safely back up to the chipper.
3. Place the tractor arms in their full sway position.
4. Back up slowly and align the lower link arms to the pins on the machine.
5. Mounting without a Quick Hitch
  - a. Align the left lower link with the left chipper pin.
  - b. Insert the left pin through the ball and install the retainer.
  - c. Align the right arm to the pin by turning the jack screw on the arm.
  - d. Insert the right pin through the ball and install the retainer. Return the jack- screw to its starting position.
  - e. Remove the top pin and install the top link. Use the turnbuckle to align the top link. Insert the pins and install the retainers. Return the turnbuckle to its original length and lock.



**IMPORTANT**

It may be necessary to add weight to the lower lift arms to bring them to the required height.

6. Install the PTO drive line:

**NOTE**

Be sure the telescoping portion of the shaft is greased and free of dirt.

a. Slide the collar back on the yoke, align the splines and slide the yoke on the tractor.

b. Release the collar and make sure the locking pin clicks into position.

7. Slowly raise the machine through its working range to make sure the telescoping portion of the PTO shaft doesn't bottom out.

8. Level the machine front and rear, and side to side using the jack screw on the right arm and the turnbuckle on the top link.

9. The chipper should always be level on the ground in its working position.

10. To unhook from the tractor, reverse the above procedure. Always park the machine in a dry, level area. If vandalism is a problem, remove the PTO drive line and store in a secure place.

**CHIPPING OPERATION**

The Wood Chipper is a strong, rugged machine that is built to a straightforward design which provides consistent chipping of logs up to 4" (102mm)

Always wear personal protective equipment (PPE) when ever operating the machine . This includes but is not limited to protective shoes with slip resistant soles, protective goggles or face shield, heavy gloves, hearing protection and protective clothing.

Do not place metal, bottles, cans, rocks, glass or other solid material into the wood chipper. If something like this gets into the machine, stop the machine immediately for a detailed inspection . Stop engine, remove ignition key and place in your pocket and wait for all moving parts to stop before inspecting or unplugging . Inspect machine for damaged or loosened parts before resuming work.



**keep hands and feet out of the inlet and discharge openings while the machine is operating to avoid serious personal injury. Turn of the hydraulics, stop the engine, and allow the machine to come to a complete stop before clearing obstructions or making adjustments.**

Caution and care should be exercised when feeding material into the feeder. Do not reach into the hopper past the curtain barrier.

- Before beginning to feed the rotor is up to speed.
- Slowly slide the wooden material into the feed hopper and move it into the rotor.
- Do not force the material into the rotor, as the material engages the rotor, the rotor will draw the material in . Use continuous lite pressure to guide in the material.
- Be aware of how much material you feed in, slow down or stop if the rotor begins to slow down.
- Do not reach into the feed hopper further than the curtain to be sure not to contact the blades on the rotor.
- Use a stick or branch to push any piece of material into the rotor that does not move on its own. If the jam persists then stop the engine and wait for the rotor to stop and then clear the jam. Do not take a chance with getting your hand caught in the rotor.
- Ensure your wood chip pile is contained and doesn't affect the immediate work area.

**UNPLUGGING**

Although the machine is designed to handle a wide variety of material without any problem, occasionally it plugs . When the machine plugs, follow this procedure to unplug:

- Clear the area of bystanders, especially small children.
- Turn off the hydraulics, stop the engine, remove the ignition key and place it in your pocket and wait for all moving parts to stop before unplugging.
- Pull the material out of the feed hopper. Be sure all the material is out, and nothing is jammed or wedged between the input opening and the rotor.
- Pull the material out of the discharge hood. Use a stick to poke loose any material jammed

into the discharge hood. Do not allow anything to remain in this area.

- Check that everyone is clear of machine before restarting engine.

## SEVERE PLUG

- Clear the area of bystanders, especially small children.
- Turn off the hydraulics, stop the engine, remove the ignition key and place it in your pocket or remove spark plug wire, and wait for all moving parts to stop before unplugging.
- Loosen the feed hopper anchor nuts and raise the feed hopper.
- Remove jammed material from inside the rotor compartment.
- Clean out the discharge area/rotor.
- Open the upper rotary housing and clean out the housing.
- Be sure to turn the rotor by hand to be sure there is nothing jammed between the rotor and stationary blades.
  - Close, install and fold down all components opened to unplug. Tighten fasteners to their specified torque.
- Check that everyone is clear of machine before restarting engine.
- Start the engine turn on the hydraulics and resume working.

## MAINTENANCE

By following a careful service and maintenance program for your machine, you will enjoy many years of trouble-free operation.

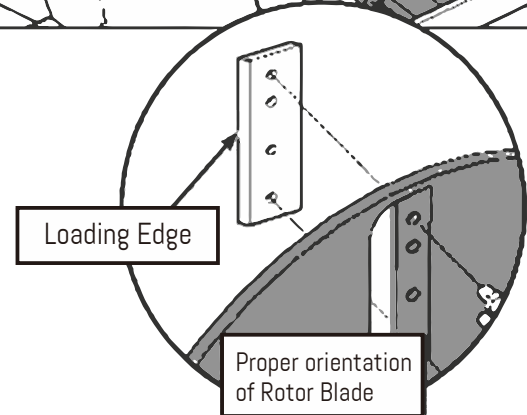
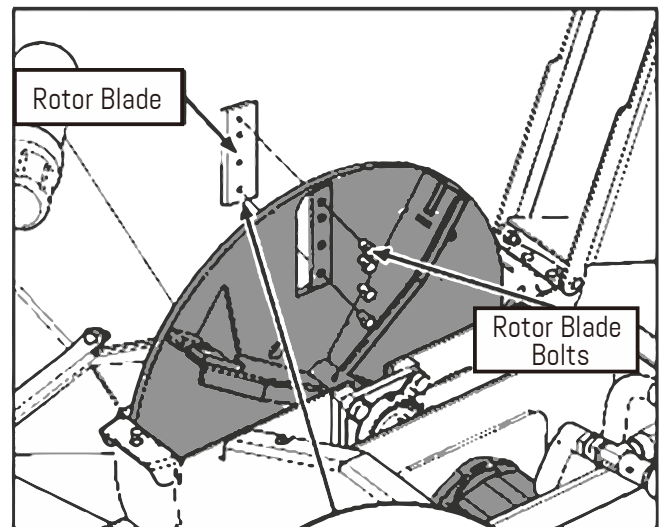
### BLADE AND BREAKER MAINTENANCE

The rotor and ledger blades need to be sharp for the Chipper to perform as expected. Periodic inspection is recommended. Keep the blades sharp to reduce the amount of power required during operation. Watch the sharpness of the blades when processing material with a lot of sand, soil or dirt mixed with it. Reverse or sharpen the blades if the cutting edge becomes dull. Twig breaker should be inspected for gouges or bent.

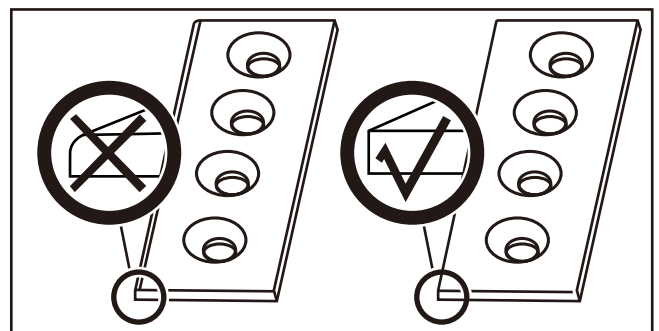
### ROTOR BLADES

The rotor is equipped with 4 blades spaced evenly to keep the rotor in balance. If one needs to be changed, the one opposite should also be changed. It is recommended that the rotor blades be removed from the rotor when sharpening. Always sharpen the blades at a 45° angle to provide the best cutting effect as it meets the stationary blade. Be sure to tighten the blade mounting bolts to their specified torque when reinstalling the blades to the rotor.

1. Stop the engine, remove the ignition key, and place it in your pocket and wait for all moving parts to stop.
2. Remove the bolt that secures the upper rotor housing, and Carefully open the rotor housing.
3. Manually rotate chipper rotor plate so that the blade is fully Exposed.
4. Remove the bolts that hold the rotor blade to the rotor, remove the blade.
5. Rotate the blade and reinstall or replace with new or resharpened blade.
6. Ensure the blade is properly oriented, with the leading edge out. The blade is designed to fit into the rotor one way only. See diagram for proper installation.
7. Tighten down bolts as specified in the torque chart.
8. Repeat steps for remaining blades.



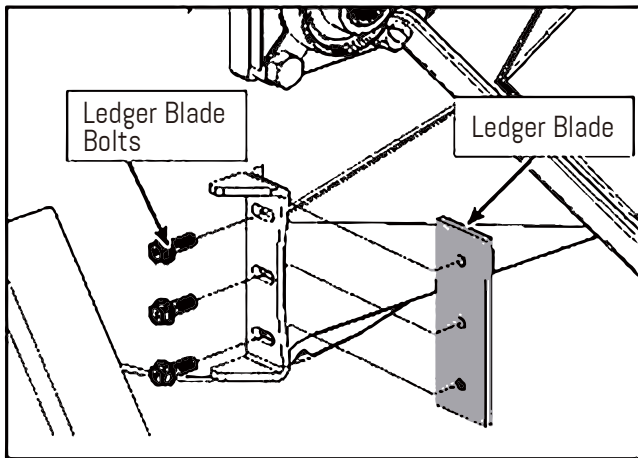
Routine inspection of the knives for sharpness and wear plate for a sharp edge will ensure that your wood chipper is operating at full efficiency. Using dull knives or a rounded wear plate will decrease performance and cause excessive vibration that will damage the machine and make chipping difficult for the operator.



## LEDGER BLADES

The MechMaxx-BX42S is equipped with a ledger (stationary) blade that acts as a shear for the moving rotor blades. The ledger blade is designed with 4 usable corners. When the corner facing the rotor blade rounds over, remove the blade and reinstall with a different corner facing the rotor blade. It is recommended that the clearance between the rotor and stationary blades be set and maintained at 1/32 to 1/16" (.76 - 1.52 mm) to obtain the best performance.

1. Turn off the hydraulics, stop the engine, remove the ignition key and place it in your pocket and wait for all moving parts to stop.
2. Remove the 2 bolts that hold the ledger blade to the ledger mount, remove the blade.
3. Rotate the blade and replace or replace with new or re-sharpened blade.
4. Hand tighten the bolts and set the clearance between the ledger and rotor blades at 1/32 - 1/16".
5. Tighten down bolts as specified in the torque chart



## CHECKING BOLT TORQUE

The tables shown below give correct torque values for various bolts and cap screws. Tighten all bolts to the torques specified in chart unless otherwise noted. Check tightness of bolts periodically, using bolt torque chart as a guide. Replace hardware with the same strength bolt. Torque figures indicated above are valid for non-greased or non-oiled threads and heads unless otherwise specified. Therefore, do not grease or oil bolts or cap screws unless otherwise specified in this manual. When using locking elements, increase torque values by 5%. \* Torque value for bolts and cap screws are identified by their head markings

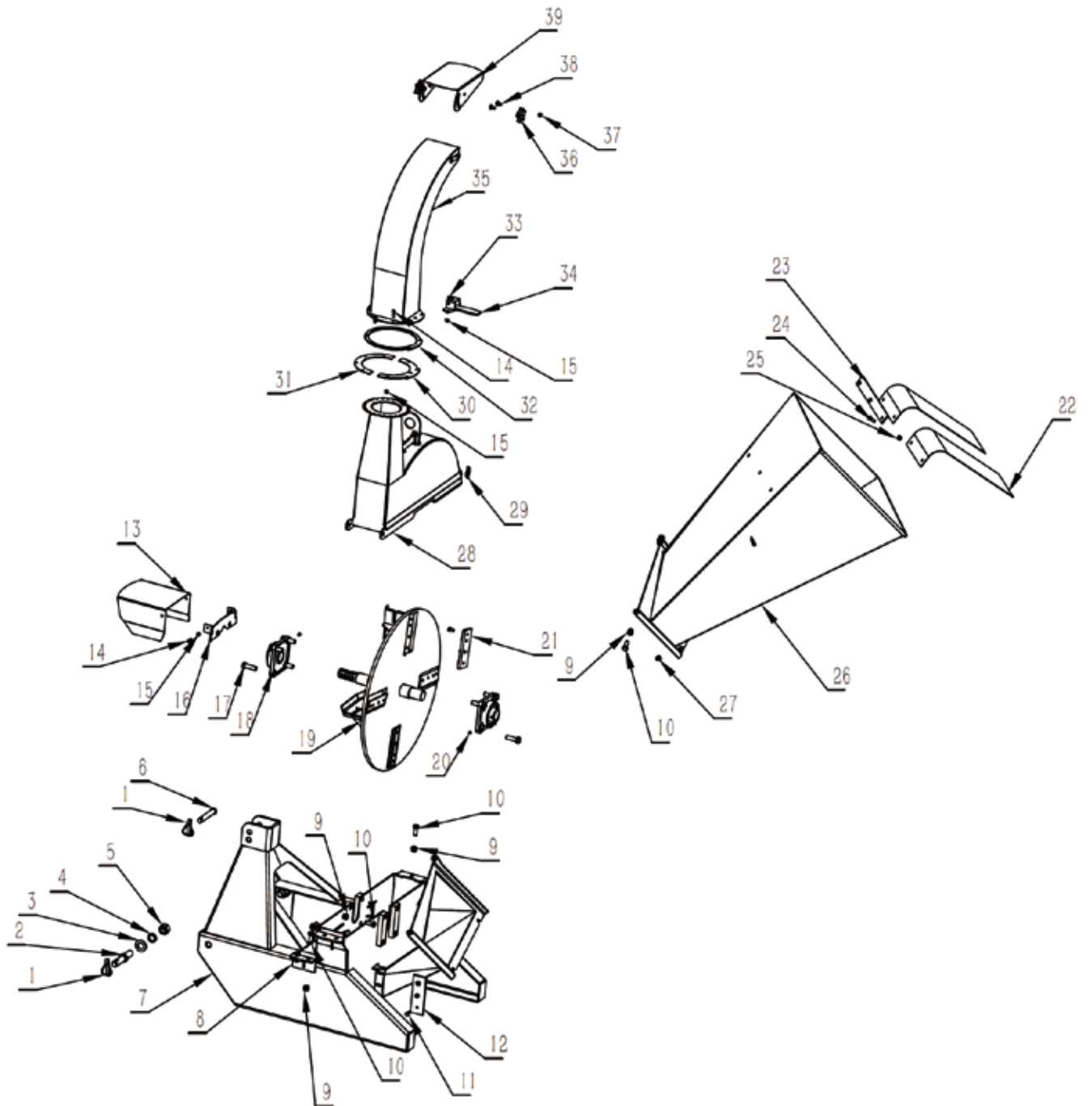
## ENGLISH TORQUE SPECIFICATIONS

Bolt Diameter	Bolt Torque					
	SAE 2		SAE 5		SAE 8	
	N.m	lb-ft	N.m	lb-ft	N.m	lb-ft
1/4"	8	6	12	9	17	12
5/16"	13	10	25	19	36	27
3/8"	27	20	45	33	63	45
7/16"	41	30	72	53	100	75
1/2"	61	45	110	80	155	115
9/16"	95	60	155	115	200	165
5/8"	128	95	215	160	305	220
3/4"	225	165	390	290	540	400
7/8"	230	170	570	420	880	650
1"	345	225	850	630	1320	970

## METRIC TORQUE SPECIFICATIONS

Bolt Diameter	Bolt Torque			
	8.8		10.9	
	N.m	lb-ft	N.m	lb-ft
M3	0.5	0.4	1.8	1.3
M4	3	2.2	4.5	3.3
M5	6	4	9	7
M6	10	7	15	11
M8	25	18	35	26
M10	50	37	70	52
M12	90	66	125	92
M14	140	103	200	148
M16	225	166	310	229
M20	435	321	610	450
M24	750	553	1050	744
M30	1495	1103	2100	1550
M36	2600	1917	3675	2710

**PARTS DIAGRAM**



## PARTS LIST

REF	DESCRIPTION	QTY
1	Lock pin 10	3
2	Pin shaft	2
3	Plain washer 22	2
4	Spring washer 22	2
5	Bolt M22*1.5	2
6	Pin shaft	1
7	Bottom weldment	1
8	Counter knife weldment	1
9	Nut M12	7
10	Bolt M12*30	7
11	Bolt M8*16	19
12	Counter knife	1
13	PTO cover	1
14	Bolt M6*20	8
15	Nut M6	10
16	Bracket	1
17	Bolt M14*1.5*45	8
18	Bearing UCFU208 with seat	2
19	Fly wheel weldment	1
20	Grease nipple	2
21	Knife	4
22	Rubber	2
23	Plate	1
24	Bolt M8*25	3
25	Nut M8	3
26	Hopper weldment	1
27	Nut M10	2
28	Top cover weldment	1
29	Lock pin 5	1

REF	DESCRIPTION	QTY
30	Washer	1
31	Washer	1
32	Washer	1
33	Bolt M6*25	2
34	Lock assemble	1
35	Discharge port assemble	1
36	handle 8*32	2
37	Nut M8	2
38	Bolt M8*16	4
39	Discharge port cover	1

***MechMaxx***

[info@mechmaxx.com](mailto:info@mechmaxx.com)